

19



Europäisches Patentamt  
European Patent Office  
Office européen des brevets



11 Publication number: **0 202 468 B1**

12

### EUROPEAN PATENT SPECIFICATION

- 45 Date of publication of patent specification: 08.04.92
- 51 Int. Cl.<sup>5</sup>: **G06K 11/06, G06F 3/033, G01S 5/16, G01S 3/78, G01B 11/00**
- 21 Application number: 86105111.8
- 22 Date of filing: 14.04.86

54 **Electro-optical position determining system.**

30 Priority: 10.05.85 US 732864

43 Date of publication of application:  
26.11.86 Bulletin 86/48

49 Publication of the grant of the patent:  
08.04.92 Bulletin 92/15

64 Designated Contracting States:  
DE FR GB IT SE

56 References cited:

|                 |                 |
|-----------------|-----------------|
| DE-A- 2 208 559 | FR-A- 2 093 168 |
| US-A- 2 830 487 | US-A- 3 613 066 |
| US-A- 4 012 588 | US-A- 4 209 254 |
| US-A- 4 470 122 | US-A- 4 550 250 |

PATENTS ABSTRACTS OF JAPAN, vol. 7, no. 152 (P-208)[1297], 5th July 1983; & JP - A - 58 64 581 (SHIN NIPPON DENKI K.K.) 16-04-1983

73 Proprietor: **The Laitram Corporation**  
220 Laitram Lane  
Harahan Louisiana 70123(US)

72 Inventor: **Lapeyre, James M.**  
13 Richmond Place  
New Orleans Louisiana 70150(US)

74 Representative: **EGLI-EUROPEAN PATENT AT-TORNEYS**  
Widenmayerstrasse 5  
W-8000 München 22(DE)

**EP 0 202 468 B1**

Note: Within nine months from the publication of the mention of the grant of the European patent, any person may give notice to the European Patent Office of opposition to the European patent granted. Notice of opposition shall be filed in a written reasoned statement. It shall not be deemed to have been filed until the opposition fee has been paid (Art. 99(1) European patent convention).

## Description

### FIELD OF THE INVENTION

This invention relates to an apparatus for determining the position of at least one radiation source according to the first part of claim 1.

Furthermore, this invention relates to an apparatus for providing signals representative of one or more positions of at least one light source according to the first part of claim 10, as well as to a data entry system according to the first part of claim 23, an apparatus for determining the position of a radiation source, according to the first parts of claims 31 and 32, respectively.

This invention further relates to a method for determining a position of a radiation source according to the first part of claim 33.

### BACKGROUND OF THE INVENTION

Systems are known for determining the position or location of an object within a defined area. Such systems find utility for the entry of graphic and other information into a computer, and are often embodied into a data entry tablet which includes means for sensing the position of a stylus or other point movable within a defined area, and for providing an electrical signal which is representative of successive stylus positions, thereby to denote lines, curves and figures drawn by the stylus on the tablet. Another known use for position determining systems is for land surveying and wherein means are provided for sensing the position of a target movable within a defined area, and for providing a signal representative of the sensed target positions and from which survey information can be derived.

A related data entry device is known as a cursor controller or "mouse", which is usually in the form of a small housing movable over a surface and which provides corresponding movement of a cursor on a display screen. Movement of the cursor can be employed for data entry of graphical information and can also be used as a pointer for identifying a position on the screen or information displayed on the screen, such as for interactive computer usage. In general, mouse movement is provided by a ball that rolls over a surface, the ball movement being sensed by mechanical or optical means. Motion can also be sensed via a specially prepared sensible surface over which the mouse is moved. For example, a checkerboard pattern has been employed on a surface, and light reflected from the surface is detected by a photodetector which provides pulse signals indicative of motion with respect to the surface pattern. A review of several different types of mouse cursor controllers

is provided in an article entitled "Interfacing Mice to Computers", Machine Design, January 12, 1984, pp. 84-91.

Graphic input devices are known using pairs of scanned light beams, as shown, for example, in U.S. Patents 3,553,680; 3,613,066; 3,364,389; and 4,294,543. In this type of entry device, first and second narrow light beams are scanned across a surface and means are provided for sensing the light beams at intersecting points. Within the surface, the angular position of the two beams at the detected intersections representing the position within the defined area. Another known technique employs orthogonal light beams provided across a display surface, the interruption of selected orthogonal pairs of beams providing an identification of the data entry point.

Examples of surveying and related systems for automatic position determination are shown in U.S. Patents 3,714,657; 3,400,398; 3,437,825; and 3,443,095. Range measuring systems are shown for example in U.S. Patents 2,830,487; 3,759,614; and 3,961,851.

From US-A-4,470,122 an integrated electro-optical position sensing apparatus is known which utilizes driven sensors to scan the area of interest. The sensors are scanned in reciprocating, arcuate scanning paths orientated to scan across the position of a radiation-emitting module. The driven sensors are connected to a common vertically journaled shaft and driven by drive-motors which are also connected to this shaft. The sensors are positioned within the interior of a housing that includes stationary sensor windows that are elongated in the lengthwise dimension and position, so as to be in general registration with the arcuate scanning movements of the sensors. Each sensor consists of a transducer rigidly secured to a light channelling shroud having a slot. The transducer-light channelling shroud combination is driven by the drive motors. The sensors themselves are driven to scan a predefined area.

From US-A-4,209,254, a system is known, wherein a set of radiation-emitting sources are disposed on a movable object and sequentially activated to determine the line of light of the movable object.

It is an object of the invention to improve the accuracy of the state of the art apparatus and method.

This object will be solved with the apparatus comprising the features of the first part of claim 1 by the features of claim 1's second part, with the apparatus comprising the features of the first part of claim 10 by the features of claim 10's second part, with the data entry system comprising the features of the first part of claim 23 by the features of its second part.

Furthermore, this object will be solved with the apparatus comprising the features of the first parts of claim 31 and 32, by the features of their respective second parts.

This object will also be solved with the method according to the first part of claim 33 by the features of its second part.

### SUMMARY OF THE INVENTION

The system may be implemented for purposes of data entry or for purposes of object location or surveying. When embodied in a data entry tablet, the invention provides signals representative of the positions of a stylus movable within the area of the tablet and comprising first and second photodetectors spaced along a base line by a predetermined distance, and means associated with each photodetector and operative to provide a movable narrow field of view for each photodetector. Means are provided for monitoring the angular position of each of the fields of view with respect to the base line and for providing a signal indication of the respective angular positions. A stylus having a light emitter at the tip thereof is movable within the area of the tablet and provides light detectable by each of the photodetectors. Each of the photodetectors provides a respective signal when the field of view of the corresponding photodetector receives light from the emitter. Means are provided which is operative in response to the signal indication of the angular position of each of the movable means at which light from the emitter is respectively detected to provide a signal representing the position of the emitter within the area of the tablet.

In one presently preferred embodiment, a rotating cylinder is provided for each photodetector, the cylinder having a slit providing a narrow field of view or line of sight which is rotatable at a constant and known angular velocity. The time of rotation of each of the cylinders is monitored with respect to a start or reference position such that the time elapsed between the start position and the time at which light from the emitter is detected by each of the photodetectors is known. The elapsed time is a measure of the angular position of the rotating cylinder with respect to the detected position of the emitter and from this angular information, the position of the emitter with respect to the detectors is readily determined by known geometrical relations. Alternatively, the angular position of each of the rotating cylinders can be determined by use of respective shaft angle encoders which provide signal indications of the rotational position of the respective cylinders and therefore the respective fields of view. In this latter instance, angular position is measured directly, and the rotational velocity of the fields of view need not be constant or

known.

The rotatable field of view can be provided by other means such as an opaque shield rotatably movable around each detector and operative to occlude light from the light source when in the line of sight between the source and the detector. A timing cycle can be commenced by the sensed change in received light upon passage of the leading or trailing edge of the shield. The moving field of view can also be provided by a linearly movable slit or other view limiting shield.

In another embodiment, a single photodetector is employed and is rotatable about an axis and operative to detect light from a source movable within a defined area at each of two predetermined positions in the path of rotation. The position of the light source in relation to the detector positions is then determined.

In an alternative embodiment, a pair of light emitters is provided along a straight edge which is movable within the tablet area and the position of each of the emitters is determined in the manner described above to provide an indication of the position of the straight edge within the tablet area. Additional commands can be provided in conjunction with the position data of the emitter or emitters to provide data corresponding with the position of the stylus or straight edge at intended portions of the tablet area.

### DESCRIPTION OF THE DRAWINGS

The invention will be more fully understood from the following detailed description taken in conjunction with the accompanying drawings in which:

Fig. 1 is a pictorial representation of a preferred embodiment of the invention;

Fig. 2 is a diagrammatic representation of a preferred embodiment of the invention;

Fig. 3 is a diagrammatic representation of one means for sensing cylinder rotation;

Fig. 4 is a diagrammatic representation of another means for sensing cylinder rotation;

Fig. 5 is a block diagram of the processing logic;

Fig. 6 is a diagrammatic representation of an alternative embodiment;

Fig. 7 is a diagrammatic representation of an alternative embodiment of the invention;

Fig. 8 is a pictorial representation of a detector and view limiting shield means employed in the embodiment of Fig. 7;

Fig. 9 is a diagrammatic representation of a further embodiment employing a view limiting shield which is linearly movable;

Fig. 10 is a diagrammatic representation of a rotatable mirror employed for directing received

light to an associated detector;

Fig. 11 is a diagrammatic representation of an alternative rotating mirror arrangement for directing received light to an associated photodetector;

Fig. 12 is a diagrammatic representation of an embodiment of the invention employing fiber optic cables for directing light from two sensed positions to a single photodetector;

Fig. 13 and Fig. 14 are elevation and top views, respectively, of another embodiment utilizing a rotatable single detector and useful especially for land surveying purposes.

Fig. 15 is a diagrammatic representation of an embodiment of the invention employing three light receiving locations.

#### DETAILED DESCRIPTION OF THE INVENTION

Referring to Figs. 1 and 2, there is shown a data tablet having a defined area 10 within which a stylus 11 is movable. The stylus has a light emitter 13 such as a light emitter diode (LED) on the tip thereof. It should be understood, however, that the light provided by emitter 13 is not limited to light having a frequency in the visible range, and, in fact may preferably have a frequency in the infrared frequency range. First and second photodetectors 12 and 14 are provided along an edge of the tablet, the detectors being spaced apart by a predetermined distance L which defines a known base line. A pair of opaque cylinders 16 and 18 are provided around respective photodetectors 12 and 14, each of the cylinders having a respective slit 20 and 22, axially provided thereon to provide a narrow field of view or line of sight for light receivable by the respective photodetectors from the emitter 13. Each of the cylinders is rotatable by suitable motive means such as respective electric motors.

The angular position of each of the rotating cylinders is determined, in one embodiment, by measurement of the elapsed time of rotation of each of the cylinders with respect to a start or zero reference position. As illustrated in Fig. 3, a start position for each of the cylinders is defined by a fiducial mark 28 on the cylinder and which is sensed by sensor 29 to produce a signal which causes a clock counter in processing logic 30 (Fig. 5) to be started to provide a count representative of the angular position of the associated rotating cylinder with respect to the start position. The processing logic 30 also receives the outputs from photodetectors 12 and 14. The time elapsed between the start position and the time at which light from the emitter is detected by each of the photodetectors is determined by logic 30 by use of known geometrical relationships. The elapsed time is a measure of the angular position of the rotating

cylinders with respect to the detected position of the emitter and, from this angular information, the position of the emitter with respect to the detectors is readily determined. The logic 30 provides an output signal representative of the position of the emitter within the tablet area, and this signal can be provided to a display or other utilization apparatus.

An alternative embodiment is illustrated in Fig. 4 in which the angular position of each of the rotating cylinders is directly provided. Referring to Fig. 4, a shaft angle encoder is coupled to the cylinder 16, the encoder being operative to provide a signal representative of the rotational position of the associated cylinder. The encoder comprises an encoder disc 34 attached to and rotatable with the cylinder, and a light sensor 36 operative to receive light from source 38 which is directed through the disc 34. The sensor 36 provides signals which represent the rotation of the disc and cylinder 16. The encoder signals are employed by logic 30 in association with the photodetector signals to calculate the position of the emitter in relation to the detectors.

A further embodiment is illustrated in Fig. 6 in which a pair of light emitters 40 and 42 is provided in spaced relation along a straight edge which is movable within the tablet area. In the illustrated embodiment, the light emitters 40 and 42 are provided on a template 44 which is movable within the tablet area. The position of each of the emitters is determined in the manner described above to provide an indication of the straight edge defined by the spaced emitters within the area of the tablet. The template can include a standard frame into which various template sheets are insertable, each providing symbols and forms as desired.

It may be desirable to distinguish between the respective emitters 40 and 42. This can be accomplished in several different ways, including the employment of different frequencies of light emission by the respective emitters, or by pulsing the emitters at different rates. If such coding of the light emissions is employed, the circuitry associated with the light sensors will include means for distinguishing between the respective light emissions.

In addition to the entry of the position of a stylus point or an edge and the display of such point or edge positions, additional information can be entered for display in association with the positional data or for other associated use. For example, characters such as numbers, letters and symbols 46 can be provided on the template 44 of Fig. 6 and such items can be displayed in association with the position and orientation of the defined edge by entry of such items. Such data entry can be, for example, by means of an optical pen 48 for selecting characters. Once the orientation of the

defined edge or orientation of the template is known, in the manner described above, the position of each symbol, number or letter within the template is also known and can be readily entered into a data system for display such as by optical pen or other known means.

In the above embodiments, each detector has a rotating slit associated therewith for defining the respective narrow field of view. A further embodiment is shown in Fig. 7, which depicts a pair of detectors 49 each having a transparent cylinder 50 disposed therearound with an opaque segment 52 on the cylinder. Each of the detectors can be similarly embodied as illustrated in Fig. 8. The detectors receive light from the light source 13 at all times except when temporarily occluded by the interposition of the opaque shield in the light path. The line of sight between the light source and detector can be specified at the leading edge or trailing edge of the moving shield. The arcuate length of the shield can be of any extent less than 360°. During the interval at which the shield occludes the light, the clock counters can be reset for the next timing cycle. In operation, a start signal can be provided as the leading edge of the shield enters the light path, causing a change in the sensed light, and a timing interval commenced for that rotational cycle of the cylinder. Alternatively, the passage of the trailing edge of the shield out of the light path can signify the commencement of a timing cycle.

The moving field of view can be otherwise coordinated with the detector and need not be by a rotating field of view, as described above. In the embodiment of Fig. 9, an opaque shield 54 is provided having a slit 56 therein. The shield being linearly movable in reciprocating fashion past the associated detector. Each detector includes a similar reciprocating shield. The line of sight between each detector and the light source is determined by the alignment of the respective slits with the respective light paths.

In the embodiment of Fig. 10, a rotating mirror 58 is employed to direct light from the light source 13 to the photodetector 49. Upon alignment of the reflecting surface 60 of the rotating mirror with the incident light, light is directed to the detector to specify the line of sight for the position determining computation. Another mirror implementation is shown in Fig. 11, in which the mirror 62 is rotatable about the axis, and upon alignment of the reflecting surface 64 with the incident light, light is reflected to the detector 49, which in this implementation is top mounted such as on a support arm 66.

A further embodiment is illustrated in Fig. 12 in which a single photodetector 49a is employed. A pair of fiber optic cables 68 are provided, each coupling light from a respective sensing position to

the single detector. The outer end 70 of each fiber optic cable 68 is disposed to receive light from the light source 13 as selectively provided by the moving field of view, such as a rotating cylinder 72 having a slit thereon, as in the embodiment of Fig. 3 described above. Other means can be provided for transmitting or reflecting light received from the respective light sensing positions to the single photodetector, such as a mirror or mirror assembly. The inner end 74 of each fiber optic cable is in light coupling relation to detector 49a.

It will be appreciated that the embodiments discussed above may be designed for use in land surveying but are more suitable for use with data entry tablets. However, the embodiment of the invention shown in Figs. 13 and 14 is especially suited for land surveying. A single photodetector 49b is mounted on the end of a boom 80 having a counterweight 82 at the other end thereof, the boom being mounted for rotation on a tripod 84 or other suitable support, and rotated at a known velocity by means of a motor 86. A light source 13a is provided at the point remote from the detector, the light from this source being detectable by the single detector at each of two positions, as illustrated in Fig. 14. In the illustrated embodiment, the positions are shown at diametrically opposite positions of a rotary cycle. A narrow field of view for the detector is provided by any convenient means, such as a rotating slit as described above. Thus, a line of sight between the light source and each light sensing position of the detector is specified, and the position of the light source then determined. A smaller version of this single detector embodiment can also be employed for data tablet or other data entry purposes.

In all the embodiments discussed heretofore, it is assumed that there is a clear "line of sight" between the light source and the two light receiving locations. This would usually be the case with data entry tablets of the type described, where the selected area is always located on one side of the "base line" which extends between the two selected light receiving locations. However, in applications where the "selected area" to be monitored completely surrounds the base line extending between the two light receiving locations, or where there may not always be a clear "line of sight" between the light source and both of the light receiving locations (such as in land surveying where the line of sight might be blocked by a tree or other non-movable objects), complete surveillance of the selected area may not be possible.

Therefore, according to another embodiment such as diagrammatically illustrated in Fig. 15, a third light receiving location may be provided to assure complete surveillance of the area. In the illustration of Fig. 15, those elements which are the

same as elements shown in the embodiment of Fig. 2, carry common reference numbers. As shown, a first base line  $L_1$  is defined by light receiving diodes 12 and 14 which scan selected area 88 extending on both sides of base line  $L_1$  as indicated by light pen 11A and 11B on the right side and light pen 11C on the left side. Normally almost all locations in the select area 88 would satisfactorily be scanned by light receiving diodes 12 and 14 such that the position of a light source could readily be determined. However in the event an object 89 which is opaque to light source 11B was located so as to block the line of sight between light pen 11B and light receiving diode 14 (which line of sight is represented by line segments 90 and 92). The light receiving diode 12 would not have an input to help determine the location of light pen 11B, and consequently the location of light pen 11B along the line of sight 94 could not be determined. However, according to the embodiment of the present invention shown in Fig. 15, there is also included a third light receiving diode 96 which is located at a known position and distance with respect to base line  $L_1$ . As is also clear from the illustration of Fig. 15, there are secondary base lines  $L_2$  and  $L_3$  established between the light receiving diodes 12 and 96, and 14 and 96 respectively. Consequently, the position of light pen 11B may readily be determined by processing the information from light receiving diode 12 and 96 with respect to base line  $L_2$  in the same manner as the information from light receiving diode 12 and 14 was processed with respect to base line  $L_1$ . In a similar manner, if the line of sight between the light source and light receiving diode 12 is blocked, information from light receiving diode 14 and light receiving diode 96 may be used with respect to base line  $L_3$  to determine the position of the light source. A third light receiving diode would also be necessary if the light source were to lie along an extension of a base line extending between two light receiving diodes even if there was no blockage of light paths. For example as shown in Fig. 15 light pen 11A lies along an extension of  $L_3$  and consequently, it is impossible to determine the distance of the light source from either light receiving diode 14 or light receiving diode 96. However, in this example the location of light pen 11A may readily be determined by processing the information received from light receiving diode 12 and light receiving diode 96 with respect to base line  $L_2$ .

Light pen source 11C is included to illustrate that the surveillance area or selected area completely surround the light receiving locations. Furthermore, although the light receiving diode 12, 14 and 96 are arranged in Fig. 15 so as to form an equilateral triangle to simplify the processing of data or calculations, the three locations of the light

receiving diodes could form a right triangle or any other irregular triangle so long as the location and distance of each light receiving diode is known with respect to every other light receiving diode.

This invention is not to be limited by what has been particularly shown and described except as indicated in the appended claims.

#### Claims

- Apparatus for determining the position of at least one radiation source (11/13; 11a, 11b, 11c; 13a; 40, 42) located and movable within a selected area (10) comprising:
  - radiation detecting means (12, 14; 49) at first and second locations, respectively, for monitoring radiation emitted by said at least one movable radiation source (11/13; 11a, 11b, 11c; 13a; 40, 42), said first and second location spaced a first predetermined distance (L) apart along a base line; said radiation detecting means (12, 14; 49) suitable for detecting radiation emitted by said at least one movable radiation source (11/13; 11a, 11b, 11c; 13a; 40, 42) located within said selected area (10); means for determining a first angle between said base line (L) and a first line extending between said first location and said at least one movable radiation source (11/13; 11a, 11b, 11c; 13a; 40, 42) and for determining a second angle between said base line (L) and a second line extending from said second location and said at least one movable radiation source (11/13; 11a, 11b, 11c; 13a; 40, 42); and processing means (30) responsive to said determining means for providing signals representative of the position of said at least one movable radiation source (11/13; 11a, 11b, 11c; 13a; 40, 42) within said selected area (10);
  - characterized in that** said radiation detecting means (12, 14; 49) is non-scanning and operates independently of said at least one movable radiation source (11/13; 11a, 11b, 11c; 13a; 40, 42); said determining means includes means disposed in combination with said radiation detecting means (12, 14; 49) for providing a moving field of view (16/20, 18/22; 50/52; 54/56; 58/60; 62/64) at each said first and second locations, said moving field of view means including a moving reference point (28); and
  - means (29, 36, 38) for determining the position of said moving reference point (28) of said moving field of view means (16/20, 18/22; 50/52; 54/56; 58/60; 62/64) with respect to a start position when said moving reference point

- (28) coincides with said first and second lines, respectively.
2. The apparatus of claim 1, characterized in that said at least one movable radiation source (11/13; 11a, 11b, 11c; 13; 40, 42) includes first and second radiation sources (40, 42), said second radiation source (42) spaced apart from said first radiation source (40) a second predetermined distance, the pair of radiation sources (40, 42) indicative of a straight edge movable within said selected area (10); said radiation detecting means (12, 14; 49) are adapted to detect light means emitted by said first and second light sources (40, 42), respectively; said determining means is further operative for determining a third angle between said base line (L) and a third line extending between said first location and said second radiation source (42) and for determining a fourth angle between said base line (L) and a fourth line extending between said second location and said second radiation source (42), said third line occurring when radiation from said second radiation source (42) is detected by said radiation detecting means (12) at said first location and said fourth line is occurring when radiation from said second radiation source (42) is detected by said radiation detecting means (14) at said second location; and said means responsive to said determining means further provides signals representative of the position of said second radiation source (42) within said selected area (10) and the position of said straight edge indicated by said pair of radiation sources (40, 42) within said selected area (10).
  3. The apparatus of claim 1, characterized in that said moving field of view means (16/20, 18/22; 52/54; 58/60; 62/64) moves arcuately around said first and second locations.
  4. The apparatus of claims 1, 2 or 3 wherein said radiation detecting means (12, 14; 49) comprises a photodetector positioned at each said first and second locations.
  5. The apparatus of claims 1, characterized in that said radiation detecting means comprises a photodetector (12, 14; 49) positioned at each said first and second locations; and said moving field means comprises a pair of opaque members (16, 18; 54) located one each between said selected area (10) and said corresponding photodetector (12, 14; 49) at said first and second locations, each of said opaque members (16, 18; 54) having a slit (20, 22; 56) for transmitting a narrow beam of radiation from said movable radiation source (11/13) therethrough, said moving field means including means for repetitively moving each said opaque member (16, 18; 54) and said slit (20, 22; 56) thereof along a known path to provide said moving field of view of said selected area.
  6. The apparatus of claim 1, characterized in that said radiation detecting means comprises a photodetector (49) positioned at each said first and second locations; and said moving field means comprises a pair of transparent members (50) located one each between said selected area (10) and said corresponding photodetector (49) at said first and second locations, each of said transparent members (50) having an opaque segment (52) for blocking radiation from said movable radiation source (11/13), said moving field means including means for repetitively moving each said transparent member (50) and said opaque segment (52) thereof along a known path to provide said moving field of view of said selected area.
  7. The apparatus of claim 1, characterized in that said radiation detecting means comprises a photodetector (49) positioned at each said first and second locations; and said moving field means comprises a pair of mirrors (58; 62) located one each between said selected area (10) and said corresponding photodetector (49) at said first and second locations, each of said mirrors (58; 62) having a reflecting surface (60; 64) for reflecting radiation from said movable radiation source (11/13) onto said photodetector (49), said moving field means including means for repetitively moving each said mirror (58; 62) and said opaque segment (60; 64) thereof along a known path to provide said moving field of view of said selected area.
  8. The apparatus of claim 5, characterized in that said known path is a straight line adjacent to first and second locations.
  9. The apparatus of claims 5, 6, or 7, characterized in that said known path is a circular path around said first and second locations.
  10. Apparatus for providing signals representative of one or more positions of at least one light source (11/13; 11a, 11b, 11c; 40, 42) movable within a selected area (10) comprising: first and second photodetecting means (12, 14;

49) disposed at first and second locations, respectively, for detecting radiation emitted by said at least one movable light source (11/13; 11a, 11b, 11c; 40, 42), said first and second locations spaced a first predetermined distance (L; L1) apart along a base line;

means for determining a first angle between said base line (L) and a first line extending between said first photodetecting means (12; 49) and said at least one movable radiation source (11/13; 11a, 11b, 11c; 40, 42) and for determining a second angle between said base line (L) and a second line extending between said second photodetecting means (14; 49) and said at least one movable radiation source (11/13; 11a, 11b, 11c; 40, 42); and processing means (30) responsive to said determining means for providing signals representative of the position of said at least one movable radiation source (11/13; 11a, 11b, 11c; 40, 42) within said selected area (10);

**characterized in that**

said first and second photodetecting means (12, 14; 49); are non-scanning and operate independently of said at least one movable radiation source (11/13; 11a, 11b, 11c; 40, 42);

means (16/20, 18/22; 50/52; 58/60; 62/64) are associated with each said photodetecting means (12, 14; 49) for providing a moving field of view therefor, said moving field of view moving arcuately around each said photodetecting means (12, 14; 49) independently of movement of said at least one radiation source (11/13; 11a, 11b, 11c; 40, 42); said moving field of view means (16/20, 18/22; 50/52; 58/60; 62/64) includes means for monitoring angular positions (28, 29, 34, 36, 38) of each of the arcuately moving fields of view with respect to the base line and providing signal indications thereof;

a first signal is generated by said first photodetecting means (12; 49) upon receipt of radiation from said at least one movable radiation source (11/13; 11a, 11b, 11c; 40, 42) through the field of view (16/20; 50/52; 58/60; 62/64) of the first photodetecting means (12, 14; 49);

a second signal is generated by said second photodetecting means (14; 49) upon receipt of radiation from said at least one light source (11/13; 11a, 11b, 11c; 40, 42) through the field of view (18/22; 50/52; 58/60; 62/64) of the second photodetecting means (14, 49); and said processing means (30) is operative in response to said first and second signals to provide said signal representing the position of the at least one light source (11/13; 11a, 11b, 11c; 40, 42) within the selected area (10).

11. The apparatus of claim 10 characterized in that said at least one movable radiation source (11/13;

11a, 11b, 11c; 40, 42) includes first and second radiation sources (40, 42), said second radiation source (42) spaced apart from said first radiation source (40) by a second predetermined distance and emitting radiation detectable by each of said photodetecting means (12, 14; 49), the first and second radiation sources (40, 42) defining a straight edge movable within the selected area (10);

said first and second photodetecting means (12, 14) are further operative to provide signals representative of radiation received from said second radiation source (42) through said first and second fields of view, (16/20, 18/22; 50/52; 58/60; 62/64); said signal providing means (30) is further operative in response to said signal indication of said angular position monitoring means (28, 29, 34, 36, 38) to provide signals representing the position of said second light source (42) and the position of said straight edge indicated by said pair of radiation sources (40, 42) within said selected area (10; 88).

12. The apparatus of claims 3 or 10 characterized in that said arcuately moving fields of view (16/20, 18/22; 50/52; 58/60; 62/64) are rotating fields of view.

13. The apparatus of claim 12, characterized in that said means for providing a rotating field of view (16/20, 18/22; 50/52; 58/60; 62/64) is operative to provide said rotating field of view at a predetermined angular velocity.

14. The apparatus of claim 13, characterized in that the predetermined angular velocity is constant.

15. The apparatus of claims 1 or 10, characterized in that said at least one light source (11/13; 11a, 11b, 11c; 40, 42) is a light emitting diode.

16. The apparatus of claim 10, characterized in that said means for providing said arcuately moving field of view (16/20, 18/22; 50/52; 58/60; 62/64) associated with each said first and second locations includes a movable reference point (28).

17. The apparatus of claims 3 or 17, characterized in that said means for providing said arcuately moving fields of view (16/20, 18/22; 50/52; 58/60; 62/64) associated with each of said first and second locations includes at least a portion of an opaque cylinder (16, 18) having an



axial slit (28) therein at least partially surrounding each said first and second locations, and wherein each said axial slit (28) represents said movable reference point.

18. The apparatus of claims 4 or 17, characterized in that each said arcuately moving fields of view is provided by transparent shield means (50) having an opaque segment (52) with distinct boundaries at least partially surrounding said first and second locations, respectively, said shield means (50) movable with respect to said first and second locations to interrupt radiation travelling towards said first and second locations, and wherein each said distinct boundary on each said transparent shield means (50) is said movable reference point.
19. The apparatus of claim 11, characterized in that radiation emitted by each of said first and second radiation sources (40, 42), respectively, is coded, and wherein the photodetecting means (12, 14; 49) is operative to distinguish between coded radiation from said first and second radiation sources (40, 42).
20. The apparatus of claims 2 or 11, characterized by a template (44) including said straight edge formed by said first and second radiation sources (40, 42), said template (44) including a plurality of information characters and symbols (46) thereon; means (48) for selecting one of said plurality of information characters and symbols (48); and means for providing a signal representative of said selected one of said plurality of information characters and symbols (48).
21. The apparatus of claims 1 or 10, characterized in that said selected area (10, 88) is a data entry tablet and said at least one movable radiation source (11/13) is a stylus (11) having a radiation emitter (13) on the tip thereof, said stylus (11) being movable on the surface of the data entry tablet (10, 88).
22. The apparatus of claim 10 characterized by: third photodetecting means (96) for monitoring radiation emitted by said at least one radiation source (11a, 11b, 11c) disposed at a third location said third location spaced a second predetermined distance (L2) along a secondary base line from said second location and spaced a third predetermined distance (L3) along a secondary base line from said first location; means (16/20, 18/22; 50/52; 58/60; 62/64) associated with said third photodetecting means (96) for providing a moving field of view therefor, said moving field of view moving arcuately around said third photodetecting means (96) independently of movement of said at least one radiation source (11a, 11b, 11c), said moving field means (16/20, 18/22; 50/52; 58/60; 62/64) including means for monitoring angular positions (28, 29, 34, 36, 38) of the arcuately moving field of view and providing signal indications thereof; said third photodetecting means (96) operative to generate a third signal upon receipt of radiation from said at least one light source (11a, 11b, 11c) through the field of view associated with said third photodetecting means (96), and said means for providing a position signal (30) further includes means operative in response to a signal indication of said angular positioning monitoring means associated with said third photodetecting means (96) to provide a signal representing the position of the at least one radiation source (11a, 11b, 11c) within said selected area (88).
23. A data entry system for providing signals representative of one or more positions of a stylus (11) movable within a defined area (10, 88), comprising: a light emitter (13) associated with said movable stylus (11) providing emitted radiation; first and second photodetecting means (12, 14; 49) at first and second locations, respectively, for detecting radiation emitted by said light emitter (13), said first and second locations spaced a first predetermined distance (L) apart along a base line; means for determining a first angle between said base line (L) and a first line extending between said first location and said light emitter (13) and for determining a second angle between said base line (L) and a second line extending from said second location and said light emitter (13); and means (30) responsive to said determining means for providing signals representative of the position of said light emitter (13) within said selected area (10);
- characterized in that**  
said first and second radiation detecting means (12, 14; 49) are nonscanning and operate independently of said light emitter (13); means (16/20, 18/22; 50/52; 58/60; 62/64) are associated with each said photodetecting means (12, 14; 49) for providing a rotating narrow field of view therefor, said narrow field of view means rotating independently of movement of said stylus (11); means for monitoring an angular position (28, 29, 34, 36, 38) of each of said narrow field of

- view means (16/20, 18/22; 50/52; 58/60; 62/64) with respect to the base line and providing signal indications thereof;  
 a first signal is generated by said first photodetecting means (12; 49) when said first photodetecting means (12; 49), said narrow field of view means (16/20, 18/22; 50/52; 58/60; 62/64) associated therewith and radiation from said light emitter (13) are collinear; a second signal is generated by said second photodetecting means (14; 49) when said second photodetecting means (14; 49), said narrow field of view means (16/20, 18/22; 50/52; 58/60; 62/64) associated therewith and radiation from said light emitter (13) are collinear; and  
 said means (30) is operative in response to the signal indications of said angular position monitoring means (28, 29, 34, 36, 38) and said first and second signals generated by said first and second photodetecting means (12, 24; 49), respectively, to provide said signal representing the position of the stylus (11) wherein the defined area (10).
24. The data entry tablet of claim 23, characterized by first and second radiation emitters (40, 42) spaced apart a predetermined distance and providing radiation detectable by said first and second photodetecting means (12, 14; 49), the pair of light emitters (40, 42) defining a straight edge movable within the area of the tablet; said first and second photodetecting means (12, 14; 49) being operative to detect radiation emitted by said first and second radiation emitters (40, 42) and provide first and second signals representative thereof, respectively; and  
 said processing means (30) being operative in response to said first and second signals and signals from said angular position monitoring means (28, 29, 34, 36, 38) to provide signals representing the position of each radiation emitter (40, 42) and the straight edge within the area (10; 88) of the tablet.
25. The data entry tablet of claim 24, wherein said narrow field of view means (16/20, 18/22; 50/52; 58/60; 62/64) associated with each said first and second photodetecting means (12, 14; 49) is operative to provide a rotating narrow field of view at a predetermined angular velocity.
26. The data entry tablet of claim 24, characterized in that said light emitter (13) is a light emitting diode.
27. The data entry tablet of claim 24, characterized in that said narrow field of view means (16/20, 18/22; 50/52; 58/60; 62/64) is an opaque housing (16, 18; 54) having a slit (20, 22; 56) therein to provide the narrow field of view for radiation receivable by said first and second photodetecting means (12, 14; 49) from the light emitter (13).
28. The data entry tablet of claim 25, characterized in that each of said radiation emitters (40, 42) is coded;  
 said first and second photodetecting means (12, 14; 49) are operative to provide respective coded first and second signals to distinguish between said respective radiation emitters (40, 42).
29. The data entry tablet of claim 25, characterized by a template (44) having a straight edge and including informational characters thereon, said radiation emitters (40, 42) being positioned at opposite ends of said straight edge of said template (44); and means (48) for reading at least one information character of said template (44).
30. The apparatus of claims 1 or 10, characterized in that said selected area (10) is a land area to be surveyed, and said at least one movable radiation source (13a) is a reference pole selectively emitting radiation of predetermined characteristics, said reference pole being movable over said land area.
31. Apparatus for determining the position of a radiation source (13a) located and movable within a selected area (10), comprising:  
 radiation detecting means (49b) for monitoring radiation emitted by said movable radiation source (13a), said radiation detecting means (12, 14; 49) being nonscanning and operating independently of said movable radiation source (13a); and  
 said radiation detecting means (49b) suitable for detecting radiation emitted by said movable radiation source (13a) located within said selected area (10);  
**characterized by**  
 means (16/20; 50/52; 58/60; 62/64) disposed in combination with said radiation detecting means (49a) for providing a moving field of view for said radiation detecting means (49a), said moving field of view means (16/20; 50/52; 58/60; 62/64) including a moving reference point (28);  
 means (80) for supporting the combination of said radiation detecting means (49b) and said

moving field of view means (16/20; 50/52; 54/56; 58/60; 62/64) at a predetermined distance from a pivot point;

means (84, 86) for rotating the combination of said radiation detecting means (49b) and said moving field of view means (16/20; 50/52; 54/56; 58/60; 62/64) around said pivot point;

radiation emitted by said movable radiation source (13a) is detected by said radiation detecting means (49b) at first and second locations during rotation around said pivot point due to movement of said moving field of view means (16/20; 50/52; 54/56; 58/60; 62/64) about said radiation detecting means (49b);

means for determining (29, 36, 38) the position of said moving reference point (28) of said moving field of view means (16/20; 50/52; 54/56; 58/60; 62/64) with respect to a start position at said first and second locations;

means for determining a first angle between said predetermined distance and a first line extending between said first location and said movable radiation source (13a) and for determining a second angle between said predetermined distance and a second line extending from said second location and said movable radiation source (13a); and processing means (30) responsive to said determining means for providing signals representative of the position of said movable radiation source (13a) within said selected area (10).

32. Apparatus for determining the position of at least one radiation source (11/13) located and movable within a selected area (10), comprising:

radiation detecting means (49a) for monitoring radiation emitted by said at least one movable radiation source (11/13), said radiation detecting means (49a) suitable for detecting radiation emitted by said at least one movable radiation source (11/13) located within said selected area; means for determining a first angle between a base line (L) and a first line extending between a first location and said at least one movable radiation source (11/13) and for determining a second angle between said base line (L) and a second line extending between a second location and said at least one movable radiation source (11/13); and processing means (30) responsive to said determining means for providing signals representative of the position of said at least one movable radiation source (11/13) with said selected area (10);

**characterized by**

a pair of fiber optic cables (68) for transmitting radiation emitted by said at least one movable

radiation source (11/13), said fiber optic cables (68) having first ends adjacent said radiation detecting means (49a) for coupling radiation thereto and second ends disposed at said first and second locations, respectively, said first and second locations spaced a predetermined distance (L) apart along said base line;

means (72) disposed in combination with said second ends of said fiber optic cables (68) for providing a moving field of view at each first and second locations, said moving field of view means including a moving reference point (28); and

means for determining (29, 36, 38) the position of said moving reference point (28) of said moving field of view means (72) with respect to a start position when said moving reference point coincides with said first and second lines, respectively,

**characterized in that**

said radiation detecting means (49a) is non-scanning and operates independently of said at least one movable radiation source (11/13).

33. A method for determining a position of a radiation source (11/13; 11a, 11b, 11c; 40, 42) movable within a selected area (10; 88) comprising the steps of:

emitting radiation having selected characteristics from said movable radiation source (11/13; 11a, 11b, 11c; 40, 42) located within said selected area (10; 88);

uniformly scanning said selected area (10; 88) from first and second locations spaced a predetermined distance (L) apart along a base line, said step of uniformly scanning further comprising steps of positioning stationary first and second photodetecting means (12, 14, 49) at said first and second locations, respectively, sequentially exposing incremental segments of each said first and second photodetecting means (12, 14; 49) to said selected area (10; 88) by movable field of view means (16/20, 18/22; 50/52; 54/56; 58/60; 62/64), said sequential exposures occurring independently of movement of said radiation source (11/13; 11a, 11b, 11c; 13a; 40, 42), and

monitoring said exposed incremental segments of each said first and second photodetecting means (12, 14; 49) with respect to a movable reference point (28) associated therewith;

detecting emitted radiation from said radiation source (11/13; 11a, 11b, 11c; 40, 42) at each said first and second locations, said detecting occurring independently of movement of said radiation source (11/13; 11a, 11b, 11c; 40, 42); correlating said monitored incremental detection segments of said first and second

photodetecting means (12, 14; 49) with said detected radiation at each said first and second locations, respectively, to determine a first line of sight between said detected radiation and said first location and a second line of sight between said detected radiation and said second location, respectively;

determining a first angle between said base line and said first line of sight and a second angle between said base line and said second line of sight; and

computing the position of said radiation source (11/13; 11a, 11b, 11c; 40, 42) within said selected area (10, 88) from said first and second angles and said predetermined distance.

### Revendications

- Appareil pour déterminer la position d'au moins une source de rayonnement (11/13 ; 11a,11b,11c ; 13a ; 40,42) située et déplaçable à l'intérieur d'une surface choisie (10), comprenant :

des moyens de détection de rayonnement (12,14 ; 49) situés à une première et une deuxième positions, respectivement, pour détecter le rayonnement émis par ladite au moins une source de rayonnement déplaçable (11/13 ; 11a,11b,11c ; 13a ; 40,42), lesdites première et deuxième positions étant mutuellement espacées d'une première distance prédéterminée (L) le long d'une ligne de base ;

lesdits moyens de détection de rayonnement (12, 14 ; 49) pouvant détecter le rayonnement émis par ladite au moins une source de rayonnement déplaçable (11/13;11a, 11b,11c; 13a ; 40,42) située à l'intérieur de ladite surface choisie (10) ;

des moyens de détermination d'un premier angle, défini entre ladite ligne de base (L) et une première ligne s'étendant entre ladite première position et ladite au moins une source de rayonnement déplaçable (11/13 ; 11a,11b,11c ; 13a ; 40,42), et de détermination d'un deuxième angle défini entre ladite ligne de base (L) et une deuxième ligne s'étendant entre ladite deuxième position et ladite au moins une source de rayonnement déplaçable (11/13 ; 11a,11b,11c ; 13a ; 40, 42) ; et

des moyens de traitement (30) qui répondent aux dits moyens de détermination pour fournir des signaux représentatifs de la position de ladite au moins une source de rayonnement déplaçable (11/13 ; 11a,11b,11c ; 13a ; 40,42) dans ladite zone choisie (10) ; caractérisé en ce que

lesdits moyens de détection de rayonnement (12, 14 ; 49) ne sont pas à balayage et

ils fonctionnent indépendamment de ladite au moins une source de rayonnement déplaçable (11/13 ; 11a,11b,11c ; 13a ; 40,42) ;

lesdits moyens de détermination comprennent des moyens disposés en combinaison avec lesdits moyens de détection de rayonnement (12,14 ; 49) pour définir un champ de vision mobile (16/20,18/22 ; 50/52 ; 54/56 ; 58/60 ; 62/64) à chacune desdites première et deuxième positions, lesdits moyens de définition de champ de vision mobile comportant un point de référence mobile (28) ; et

des moyens (29,36,38) de détermination de la position dudit point de référence mobile (28) desdits moyens de définition de champ de vision mobile (16/20, 18/22 ; 50/52 ; 54/56 ; 58/60 ; 62/64) par rapport à une position de départ lorsque ledit point de référence mobile (28) coïncide avec lesdites première et deuxième lignes, respectivement.

- Appareil suivant la revendication 1, caractérisé en ce que

ladite au moins une source de rayonnement déplaçable (11/13 ; 11a,11b,11c ; 13 ; 40,42) comprend une première et une deuxième sources de rayonnement (40,42), ladite deuxième source de rayonnement (42) étant espacée de ladite première source de rayonnement (40) d'une deuxième distance prédéterminée, les deux sources de rayonnement (40,42) étant indicatives d'un bord rectiligne déplaçable dans ladite surface choisie (10) ;

lesdits moyens de détection de rayonnement (12,14 ; 49) sont capables de détecter une lumière émise par lesdites première et deuxième sources de lumière (40,42), respectivement ;

lesdits moyens de détermination permettent en outre de déterminer un troisième angle défini entre la dite ligne de base (L) et une troisième ligne s'étendant entre ladite première position et ladite deuxième source de rayonnement (42) et de déterminer un quatrième angle défini entre ladite ligne de base (L) et une quatrième ligne s'étendant entre ladite deuxième position et ladite deuxième source de rayonnement (42), ladite troisième ligne se produisant lorsque le rayonnement de la dite deuxième source de rayonnement (42) est détecté par lesdits moyens de détection de rayonnement (12) à la dite première position, et ladite quatrième ligne se produisant lorsque le rayonnement de ladite deuxième source de rayonnement (42) est détecté par lesdits moyens de détection de rayonnement (14) à ladite deuxième position ; et

lesdits moyens qui répondent auxdits

- moyens de détermination fournissent en outre des signaux représentatifs de la position de ladite deuxième source de rayonnement (42) dans ladite surface choisie (10) et de la position dudit bord rectiligne indiquée par lesdites deux sources de rayonnement (40,42) dans ladite surface choisie (10).
3. Appareil suivant la revendication 1, caractérisé en ce que lesdits moyens de définition de champ de vision mobile (16/20,18/22 ; 52/54 ; 58/60 ; 62/64) se déplacent suivant une courbe autour desdites première et deuxième positions.
4. Appareil suivant les revendications 1, 2 ou 3, dans lequel lesdits moyens de détection de rayonnement (12,14;49) comprennent un photodétecteur placé à chacune desdites première et deuxième positions.
5. Appareil suivant la revendication 1, caractérisé en ce que  
 lesdits moyens de détection de rayonnement comprennent un photodétecteur (12,14 ; 49) placé à chacune desdites première et deuxième positions ; et  
 lesdits moyens de définition de champ de vision mobile comprennent deux éléments opaques (16,18 ; 54) placés chacun entre ladite surface choisie (10) et ledit photodétecteur correspondant (12,14 ; 49) auxdites première et deuxième positions, chacun desdits éléments opaques (16,18 ; 54) comportant une fente (20,22 ; 56) pour transmettre un étroit faisceau de rayonnement venant de ladite source de rayonnement mobile (11/13), lesdits moyens de définition de champ de vision mobile comportant des moyens de déplacement répétitif de chaque dit élément opaque (16,18 ; 54) et de sa dite fente (20,22 ; 56) le long d'un chemin connu pour définir ledit champ de vision mobile de ladite surface choisie.
6. Appareil suivant la revendication 1, caractérisé en ce que  
 lesdits moyens de détection de rayonnement comprennent un photodétecteur (49) placé à chacune des dites première et deuxième positions ; et  
 lesdits moyens de définition de champ de vision mobile comprennent deux éléments transparents (50) placés chacun entre ladite surface choisie (10) et ledit photodétecteur correspondant (49) auxdites première et deuxième positions, chacun desdits éléments transparents (50) comportant un segment opaque (52) pour arrêter le rayonnement venant de ladite source de rayonnement déplaçable (11/13), lesdits moyens de définition de champ de vision mobile comprenant des moyens de déplacement répétitif de chaque élément transparent (50) et de son segment opaque (52) le long d'un chemin connu, pour définir ledit champ de vision mobile de ladite surface choisie.
7. Appareil suivant la revendication 1, caractérisé en ce que  
 lesdits moyens de détection de rayonnement comprennent un photodétecteur (49) placé à chacune des dites première et deuxième positions ; et  
 lesdits moyens de définition de champ de vision mobile comprennent deux miroirs (58 ; 62) placés chacun entre ladite surface choisie (10) et ledit photodétecteur correspondant (49) auxdites première et deuxième positions, chacun desdits miroirs (58 ; 62) ayant une surface réfléchissante (60 ; 64) pour réfléchir le rayonnement de la dite source de rayonnement déplaçable (11/13) sur ledit photodétecteur (49), lesdits moyens de définition de champ de vision mobile comprenant des moyens de déplacement répétitif de chaque miroir (58 ; 62) et de son segment opaque (60 ; 64) le long d'un chemin connu pour définir ledit champ de vision mobile de ladite surface choisie.
8. Appareil suivant la revendication 5, caractérisé en ce que ledit chemin connu est une ligne droite adjacente aux première et deuxième positions.
9. Appareil suivant les revendications 5,6 ou 7, caractérisé en ce que ledit chemin connu est un chemin circulaire autour desdites première et deuxième positions.
10. Appareil pour fournir des signaux représentatifs d'une ou plusieurs positions d'au moins une source de lumière (11/13 ; 11a,11b,11c ; 40,42) déplaçable dans une surface choisie (10), comprenant :  
 un premier et un deuxième photodétecteurs (12, 14 ; 49) placés à une première et une deuxième positions, respectivement, pour détecter le rayonnement émis par la dite au moins une source de lumière déplaçable (11/13 ; 11a,11b,11c ; 40,42), lesdites première et deuxième positions étant mutuellement espacées d'une première distance prédéterminée (L ; L1) le long d'une ligne de base ;  
 des moyens de détermination d'un premier angle, défini entre ladite ligne de base (L) et une première ligne s'étendant entre ledit

premier photodétecteur (12 ; 49) et ladite au moins une source de rayonnement déplaçable (11/13 ; 11a,11b,11c ; 40,42), et de détermination d'un deuxième angle défini entre ladite ligne de base (L) et une deuxième ligne s'étendant entre ledit deuxième photodétecteur (14 ; 49) et ladite au moins une source de rayonnement déplaçable (11/13 ; 11a,11b,11c ; 40,42); et

des moyens de traitement (30) qui répondent aux dits moyens de détermination pour fournir des signaux représentatifs de la position de ladite au moins une source de rayonnement déplaçable (11/13 ; 11a,11b,11c ; 40,42) dans ladite surface choisie (10) ; caractérisé en ce que

lesdits premier et deuxième photodétecteurs (12,14 ; 49) ne sont pas à balayage et ils fonctionnent indépendamment de ladite au moins une source de rayonnement déplaçable (11/13 ; 11a,11b,11c ; 40,42) ;

des moyens (16/20,18/22 ; 50/52 ; 58/60 ; 62/64) sont associés à chaque photodétecteur (12,14 ; 49) pour définir un champ de vision mobile au photodétecteur respectif, ledit champ de vision mobile se déplaçant de façon courbe autour de chaque dit photodétecteur (12,14 ; 49) indépendamment du mouvement de ladite au moins une source de rayonnement (11/13 ; 11a,11b,11c ; 40,42) ;

lesdits moyens de définition de champ de vision mobile (16/20,18/22 ; 50/52 ; 58/60 ; 62/64) comprennent des moyens de détection des positions angulaires (28,29,34,36,38) de chacun des champs de vision mobiles suivant une courbe par rapport à la ligne de base, et de fourniture de signaux indicatifs de ces positions ;

un premier signal est engendré par ledit premier photodétecteur (12 ; 49) lors de la réception du rayonnement de ladite au moins une source de rayonnement déplaçable (11/13 ; 11a,11b,11c ; 40,42) dans le champ de vision (16/20 ; 50/52 ; 58/60 ; 62/64) du premier photodétecteur (12,14,49) ;

un deuxième signal est engendré par ledit deuxième photodétecteur (14 ; 49) lors de la réception du rayonnement de ladite au moins une source de lumière (11/13 ; 11a,11b,11c ; 40,42) dans le champ de vision (18/22 ; 50/52 ; 58/60 ; 62/64) du deuxième photodétecteur (14,49); et

lesdits moyens de traitement (30) agissent, en réponse auxdits premier et deuxième signaux, pour fournir ledit signal représentant la position de ladite au moins une source de lumière (11/13 ; 11a,11b,11c ; 40,42) dans la surface choisie (10).

11. Appareil suivant la revendication 10, caractérisé en ce que

ladite au moins une source de rayonnement déplaçable (11/13 ; 11a,11b,11c ; 40,42) comprend une première et une deuxième sources de rayonnement (40,42), ladite deuxième source de rayonnement (42) étant espacée de la dite première source de rayonnement (40) d'une deuxième distance prédéterminée et émettant un rayonnement détectable par chacun desdits photodétecteurs (12,14 ; 49), les première et deuxième sources de rayonnement (40,42) définissant un bord rectiligne déplaçable dans la surface choisie (10) ;

lesdits premier et deuxième photodétecteurs (12, 14) fonctionnent en outre pour fournir des signaux représentatifs du rayonnement reçu de ladite deuxième source de rayonnement (42) dans lesdits premier et deuxième champs de vision (16/20,18/22 ; 50/52 ; 58/60 ; 62/64) ;

lesdits moyens de traitement de signal (30) agissent en outre, en réponse auxdites indications des dits moyens de détection de position angulaire (28,29,34, 36,38), pour fournir des signaux représentant la position de ladite deuxième source de rayonnement (42) et la position dudit bord rectiligne indiquée par lesdites deux sources de rayonnement (40,42) dans ladite surface choisie (10;88).

12. Appareil suivant les revendications 3 ou 10, caractérisé en ce que lesdits champs de vision mobiles suivant un chemin courbe (16/20;18/22 ; 50/52 ; 58/60 ; 62/64 ) sont des champs de vision tournants.

13. Appareil suivant la revendication 12, caractérisé en ce que lesdits moyens de définition d'un champ de vision tournant (16/20,18/22 ; 50/52 ; 58/60 ; 62/64) fonctionnent pour définir ledit champ de vision tournant à une vitesse angulaire prédéterminée.

14. Appareil suivant la revendication 13, caractérisé en ce que la vitesse angulaire prédéterminée est constante.

15. Appareil suivant les revendications 1 ou 10, caractérisé en ce que ladite au moins une source de lumière (11/13 ; 11a,11b,11c ; 40,42) est une diode émettrice de lumière.

16. Appareil suivant la revendication 10, caractérisé en ce que les dits moyens de définition dudit champ de vision mobile de façon courbe (16/20,18/22 ; 50/52 ; 58/60 ; 62/64) associés à chacune desdites première et deuxième posi-

- tions comportent un point de référence mobile (28).
17. Appareil suivant les revendications 3 ou 17, caractérisé en ce que lesdits moyens de définition des dits champs de vision mobiles suivant un chemin courbe (16/20,18/22 ; 50/52 ; 58/60 ; 62/64), associés à chacune desdites première et deuxième positions, comprennent au moins une partie d'un cylindre opaque (16,18) comportant une fente axiale (28), entourant au moins partiellement chacune desdites première et deuxième positions, chaque dite fente axiale (28) représentant ledit point de référence mobile.
18. Appareil suivant les revendications 4 ou 17, caractérisé en ce que chacun desdits champs de vision mobiles de façon courbe est défini par un écran transparent (50) comportant un segment opaque (52) avec des limites distinctes, entourant au moins partiellement lesdites première et deuxième positions, respectivement, lesdits écrans (50) se déplaçant par rapport auxdites première et deuxième positions pour arrêter le rayonnement qui se dirige vers lesdites première et deuxième positions, et chaque dite limite distincte sur chaque écran transparent (50) constitue ledit point de référence mobile.
19. Appareil suivant la revendication 11, caractérisé en ce que le rayonnement émis par chacune des dites première et deuxième sources de rayonnement (40, 42), respectivement, est codé, et les photodétecteurs (12,14 ; 49) fonctionnent de manière à faire la discrimination entre les rayonnements codés venant desdites première et deuxième sources de rayonnement (40,42).
20. Appareil suivant les revendications 2 ou 11, caractérisé en ce qu'il comprend un gabarit (44) comportant ledit bord rectiligne formé par lesdites première et deuxième sources de rayonnement (40,42), ledit gabarit (44) comportant une pluralité de caractères et symboles d'information (46) ;  
des moyens (48) de sélection d'un de ladite pluralité de caractères et symboles d'information (46) ; et  
des moyens de fourniture d'un signal représentatif dudit caractère ou symbole choisi parmi ladite pluralité de caractères et symboles d'information (46).
21. Appareil suivant les revendication 1 ou 10, caractérisé en ce que ladite surface choisie (10,88) est une tablette d'introduction de données et ladite au moins une source de rayonnement déplaçable (11/13) est un stylet (11) comportant un émetteur de rayonnement (13) à sa pointe, ledit stylet (11) étant déplaçable sur la surface de la tablette d'introduction de données (10,88).
22. Appareil suivant la revendication 10, caractérisé par :  
un troisième photodétecteur (96) pour détecter le rayonnement émis par ladite au moins une source de rayonnement (11a,11b,11c) placée à une troisième position, ladite troisième position étant espacée, d'une deuxième distance prédéterminée (L2) le long d'une ligne de base secondaire, de ladite deuxième position et étant espacée, d'une troisième distance prédéterminée (L3) le long d'une ligne de base secondaire, de ladite première position ;  
des moyens (16/20,18/22 ; 50/52 ; 58/60 ; 62/64) associés audit troisième photodétecteur (96) pour définir un champ de vision mobile de ce dernier, ledit champ de vision mobile se déplaçant de façon courbe autour dudit troisième photodétecteur (96) indépendamment du mouvement de ladite au moins une source de rayonnement (11a,11b, 11c), lesdits moyens de définition de champ mobile (16/20,18/22 ; 50/52 ; 58/60 ; 62/64) comportant des moyens de détection des positions angulaires (28,29,34,36, 38) du champ de vision mobile de façon courbe et fournissant des signaux indicatifs de ces positions ;  
ledit troisième photodétecteur (96) fonctionne de manière à engendrer un troisième signal lors de la réception du rayonnement de ladite au moins une source de lumière (11a,11b,11c) dans le champ de vision associé audit troisième photodétecteur (96) ; et  
lesdits moyens de fourniture d'un signal de position (30) comprennent en outre des moyens qui répondent à une indication de signal desdits moyens de détection de position angulaire associés audit troisième photodétecteur (96) pour fournir un signal représentant la position de ladite au moins une source de rayonnement (11a,11b,11c) dans ladite surface choisie (88).
23. Système d'introduction de données pour fournir des signaux représentatifs d'une ou plusieurs positions d'un stylet (11) déplaçable dans une surface définie (10,88), comprenant :  
un émetteur de lumière (13) associé audit stylet déplaçable (11) et fournissant le rayonnement émis ;  
un premier et un deuxième photodétecteur

teurs (12, 14;49) à une première et une deuxième positions, respectivement, pour détecter le rayonnement émis par ledit émetteur de lumière(13), les dites première et deuxième positions étant mutuellement espacées d'une première distance prédéterminée (L) le long d'une ligne de base ;

des moyens de détermination d'un premier angle, défini entre ladite ligne de base (L) et une première ligne s'étendant entre ladite première position et le dit émetteur de lumière (13), et de détermination d'un deuxième angle défini entre ladite ligne de base (L) et une deuxième ligne s'étendant entre ladite deuxième position et ledit émetteur de lumière (13) ;

et des moyens (30) qui répondent auxdits moyens de détermination pour fournir des signaux représentatifs de la position dudit émetteur de lumière (13) dans la dite surface choisie (10) ;

caractérisé en ce que

lesdits premier et deuxième détecteurs de rayonnement (12,14 ; 49) sont à non balayage et fonctionnent indépendamment dudit émetteur de lumière (13) ;

des moyens (16/20,18/22 ; 50/52 ; 58/60 ; 62/64) sont associés à chacun desdits photodétecteurs (12,14 ; 49) pour définir un étroit champ de vision tournant correspondant, lesdits moyens de définition de l'étroit champ de vision tournant indépendamment du mouvement dudit styllet (11) ;

des moyens de détection d'une position angulaire (28,29,34,36,38) de chacun desdits moyens de définition d'un étroit champ de vision (16/20,18/22 ; 50/52 ; 58/60 ; 62/64) par rapport à la ligne de base,et de fourniture de signaux indicatifs de cette position ;

un premier signal est engendré par ledit premier photodétecteur (12 ; 49) lorsque ledit premier photodétecteur (12 ; 49), lesdits moyens de définition d'un étroit champ de vision (16/20,18/22 ; 50/52 ; 58/60 ; 62/64) associés à ce photodétecteur et le rayonnement venant dudit émetteur de lumière (13) sont colinéaires ;

un deuxième signal est engendré par ledit deuxième photodétecteur (14 ; 49) lorsque ledit deuxième photodétecteur (14 ; 49), lesdits moyens de définition d'un étroit champ de vision (16/20, 18/22 ; 50/52 ; 58/60 ; 62/64) associés à ce photodétecteur et le rayonnement venant dudit émetteur de lumière (13) sont colinéaires ; et

lesdits moyens (30) agissent, en réponse aux signaux desdits moyens de détection de position angulaire (28,29,34,36,38) et auxdits

premier et deuxième signaux engendrés par lesdits premier et deuxième photodétecteurs (12,24 ; 49), respectivement, pour fournir ledit signal représentant la position du styllet (11) dans la surface définie (10).

24. Tablette d'entrée de données suivant la revendication 23, caractérisée par

un premier et un deuxième émetteurs de rayonnement (40,42) mutuellement espacés d'une distance prédéterminée et fournissant un rayonnement détectable par lesdits premier et deuxième photodétecteurs (12,14 ; 49), les deux émetteurs de lumière (40,42) définissant un bord rectiligne déplaçable à l'intérieur de la surface de la tablette ;

lesdits premier et deuxième photodétecteurs (12,14 ; 49) fonctionnant pour détecter le rayonnement émis par lesdits premier et deuxième émetteurs de rayonnement (40,42) et fournir un premier et un deuxième signaux représentatifs de cette détection, respectivement; et

lesdits moyens de traitement (30) agissant, en réponse auxdits premier et deuxième signaux et aux signaux desdits moyens de détection de position angulaire (28,29,34,36,38), pour fournir des signaux représentant la position de chaque émetteur de rayonnement (40,42) et du bord rectiligne dans la surface (10 ; 88) de la tablette.

25. Tablette d'introduction de données suivant la revendication 24, dans laquelle lesdits moyens de définition d'un étroit champ de vision (16/20,18/20 ; 50/52 ; 58/60 ; 62/64), associés à chacun desdits premier et deuxième photodétecteurs (12,14 ; 49), fonctionnent pour définir un étroit champ de vision tournant à une vitesse angulaire prédéterminée.

26. Tablette d'introduction de données suivant la revendication 24, caractérisée en ce que ledit émetteur de lumière (13) est une diode émettrice de lumière.

27. Tablette d'introduction de données suivant la revendication 24, caractérisée en ce que lesdits moyens de définition d'un étroit champ de vision (16/20, 18/22 ; 50/52 ; 58/60 ; 62/64) comprennent un boîtier opaque (16,18 ; 54) comportant une fente (20,22 ; 56) pour définir l'étroit champ de vision pour le rayonnement qui peut être reçu par lesdits premier et deuxième photodétecteurs (12,14 ; 49) en provenance de l'émetteur de lumière (13).

28. Tablette d' introduction de données suivant la



- revendication 25, caractérisée en ce que  
 chacun desdits émetteurs de rayonnement  
 (40,42) est codé ; et  
 lesdits premier et deuxième photodétecteurs (12, 14 ; 49) fonctionnent pour fournir des premier et deuxième signaux codés respectifs de manière à faire la discrimination entre lesdits émetteurs de rayonnement respectifs (40, 42).
29. Tablette d'introduction de données suivant la revendication 25, caractérisée par un gabarit (44) présentant un bord rectiligne et comportant des caractères d'information, lesdits émetteurs de rayonnement (40,42) étant placés aux extrémités opposées dudit bord rectiligne dudit gabarit (44) ; et des moyens (48) de lecture d'au moins un caractère d'information dudit gabarit (44).
30. Appareil suivant les revendications 1 ou 10, caractérisé en ce que ladite surface choisie (10) est une surface de terrain à étudier, et ladite au moins une source de rayonnement déplaçable (13a) est un jalon de référence émettant sélectivement un rayonnement de caractéristiques prédéterminées, ledit jalon de référence étant déplaçable dans ladite surface de terrain.
31. Appareil pour déterminer la position d'une source de rayonnement (13a) située et déplaçable dans une surface choisie (10), comprenant :
- des moyens de détection de rayonnement (49b) pour détecter le rayonnement émis par ladite source de rayonnement déplaçable (13a), lesdits moyens de détection de rayonnement (12,14 ; 49) étant à non balayage et fonctionnant indépendamment de ladite source de rayonnement déplaçable (13a) ; et
  - lesdits moyens de détection de rayonnement (49b) permettant de détecter le rayonnement émis par ladite source de rayonnement déplaçable (13a) située dans la dite surface choisie (10) ;
- caractérisé par
- des moyens (16/20 ; 50/52 ; 58/60 ; 62/64) disposés en combinaison avec lesdits moyens de détection de rayonnement (49a) pour définir un champ de vision mobile desdits moyens de détection de rayonnement (49a), lesdits moyens de définition de champ de vision mobile (16/20 ; 50/52 ; 58/60 ; 62/64) comportant un point de référence mobile (28) ;
  - des moyens (80) pour supporter la combinaison desdits moyens de détection de rayonnement (49b) et des dits moyens de définition
- de champ de vision mobile (16/20 ; 50/52 ; 54/56 ; 58/60 ; 62/64) à une distance prédéterminée d'un point de pivotement ;
- des moyens (84,86) de rotation de la combinaison desdits moyens de détection de rayonnement (49b) et des dits moyens de définition de champ de vision mobile (16/20 ; 50/52 ; 54/56 ; 58/60 ; 62/64) autour dudit point de pivotement ;
  - le rayonnement émis par ladite source de rayonnement déplaçable (13a) est détecté par lesdits moyens de détection de rayonnement (49b) à une première et une deuxième positions pendant la rotation autour dudit point de pivotement, du fait du mouvement desdits moyens de définition de champ de vision mobile (16/20 ; 50/52 ; 54/56 ; 58/60 ; 62/64) autour desdits moyens de détection de rayonnement (49b) ;
  - des moyens (29,36,38) de détermination de la position dudit point de référence mobile (28) desdits moyens de définition de champ de vision mobile (16/20 ; 50/52 ; 54/56 ; 58/60 ; 62/64) par rapport à une position de départ, auxdites première et deuxième positions ;
  - des moyens de détermination d'un premier angle, défini entre ladite distance prédéterminée et une première ligne s'étendant entre ladite première position et ladite source de rayonnement déplaçable (13a), et de détermination d'un deuxième angle défini entre ladite distance prédéterminée et une deuxième ligne s'étendant entre ladite deuxième position et ladite source de rayonnement déplaçable (13a) ; et
  - des moyens de traitement (30) qui répondent aux dits moyens de détermination pour fournir des signaux représentatifs de la position de ladite source de rayonnement déplaçable (13a) dans ladite surface choisie (10).
32. Appareil pour déterminer la position d'au moins une source de rayonnement (11/13) située et déplaçable dans une surface choisie (10), comprenant :
- des moyens de détection de rayonnement (49a) pour détecter le rayonnement émis par ladite au moins une source de rayonnement déplaçable (11/13), lesdits moyens de détection de rayonnement (49a) pouvant détecter le rayonnement émis par ladite au moins une source de rayonnement déplaçable (11/13) placée dans ladite surface choisie ;
  - des moyens de détermination d'un premier angle défini entre une ligne de base (L) et une première ligne s'étendant entre une première position et ladite au moins une source de rayonnement déplaçable (11/13), et de dé-

termination d'un deuxième angle entre ladite ligne de base (L) et une deuxième ligne s'étendant entre une deuxième position et ladite au moins une source de rayonnement déplaçable (11/13) ; et

des moyens de traitement (30) qui répondent aux dits moyens de détermination pour fournir des signaux représentatifs de la position de la dite au moins une source de rayonnement déplaçable (11/13) dans ladite surface choisie (10) ;

caractérisé par

deux câbles à fibre optique (68) pour transmettre le rayonnement émis par ladite au moins une source de rayonnement déplaçable (11/13), lesdits câbles à fibre optique (68) ayant des premières extrémités adjacentes auxdits moyens de détection de rayonnement (49a), pour le couplage du rayonnement à ces moyens, et des deuxièmes extrémités situées auxdites première et deuxième positions, respectivement, lesdites première et deuxième positions étant mutuellement espacées d'une distance prédéterminée (L) le long de ladite ligne de base ;

des moyens (72) disposés en combinaison avec lesdites deuxièmes extrémités desdits câbles à fibre optique (68) pour définir un champ de vision mobile à chacune desdites première et deuxième positions, lesdits moyens de définition de champ de vision mobile comportant un point de référence mobile (28) ; et

des moyens (29,36,38) de détermination de la position dudit point de référence mobile (28) desdits moyens de définition de champ de vision mobile (72) par rapport à une position de départ, lorsque ledit point de référence mobile coïncide avec lesdites première et deuxième lignes, respectivement, et caractérisé en outre en ce que

lesdits moyens de détection de rayonnement (49a) sont à non balayage et fonctionnent indépendamment de ladite au moins une source de rayonnement déplaçable (11/13).

33. Méthode de détermination d'une position d'une source de rayonnement (11/13 ; 11a,11b,11c ; 40,42) déplaçable dans une surface choisie (10 ; 88), comprenant les opérations de :

émission d'un rayonnement ayant des caractéristiques choisies, à partir de ladite source de rayonnement déplaçable (11/13 ; 11a,11b,11c ; 40,42) placée dans ladite surface choisie (10 ; 88) ;

balayage uniforme de ladite surface choisie (10 ; 88) à partir d'une première et d'une deuxième positions mutuellement espacées

d'une distance prédéterminée (L) le long d'une ligne de base, ladite opération de balayage uniforme comprenant en outre des opérations de

positionnement d'un premier et d'un deuxième photodétecteurs fixes (12,14,49) auxdites première et deuxième positions, respectivement ;

exposition séquentielle de segments incrémentiels de chacun desdits premier et deuxième photodétecteurs (12,14 ; 49) vers ladite surface choisie (10 ; 88) par des moyens de définition de champ de vision mobile (16/20,18/22 ; 50/52 ; 54/56 ; 58/60 ; 62/64); les dites expositions séquentielles étant effectuées indépendamment du mouvement de ladite source de rayonnement (11/13 ; 11a,11b,11c ; 40,42) ;

détection desdits segments incrémentiels exposés de chacun desdits premier et deuxième photodétecteurs (12, 14; 49) par rapport à un point de référence mobile (28) associé à ces derniers ;

détection du rayonnement émis par ladite source de rayonnement (11/13 ; 11a,11b,11c ; 40,42) à chacune desdites première et deuxième positions, ladite détection étant effectuée indépendamment du mouvement de la dite source de rayonnement (11/13 ; 11a,11b,11c ; 40,42);

corrélation desdits segments incrémentiels détectés desdits premier et deuxième photodétecteurs (12, 14 ; 49) avec ledit rayonnement détecté à chacune des dites première et deuxième positions, respectivement, pour déterminer une première ligne de visée entre ledit rayonnement détecté et ladite première position et une deuxième ligne de visée entre ledit rayonnement détecté et ladite deuxième position, respectivement ;

détermination d'un premier angle entre la dite ligne de base et ladite première ligne de visée et d'un deuxième angle entre ladite ligne de base et la dite deuxième ligne de visée ; et

calcul de la position de ladite source de rayonnement (11/13 ; 11a,11b,11c ; 40,42) dans ladite surface choisie (10 ; 88) à partir desdits premier et deuxième angles et de ladite distance prédéterminée.

#### Patentansprüche

- Vorrichtung zur Bestimmung der Position wenigstens einer Strahlungsquelle (11/13; 11a, 11b, 11c; 13a; 40, 42), die in einem ausgewählten Bereich (10) angeordnet und beweglich ist, mit:  
Strahlungsanzeigeeinrichtungen (12, 14; 49) an

- ersten bzw. zweiten Stellen zur Aufzeichnung der von der wenigstens einer beweglichen Strahlungsquelle (11/13; 11a, 11b, 11c; 13a; 40, 42) ausgesandten Strahlung, wobei die erste und zweite Stelle längst einer Basislinie einen ersten vorbestimmten Abstand (L) von einander entfernt sind, wobei die Strahlungsanzeigeeinrichtungen (12, 14; 49) zur Anzeige der von der wenigstens einen beweglichen, innerhalb des ausgewählten Bereiches angeordneten Strahlungsquelle (11/13; 11a, 11b, 11c; 13a; 40, 42) ausgesandten Strahlung vorgesehen sind;
- Einrichtungen zur Bestimmung eines ersten Winkels zwischen der Basislinie (L) und einer ersten Linie, die sich zwischen der ersten Stelle und der wenigstens einen beweglichen Strahlungsquelle (11/13; 11a, 11b, 11c; 13a; 40, 42) erstreckt ersten Linie und zur Bestimmung eines zweiten Winkels zwischen der Basislinie (L) und einer zweiten Linie, die sich von der zweiten Stelle und der wenigstens einen beweglichen Strahlungsquelle (11/13; 11a, 11b, 11c; 13a; 40, 42) erstreckt;
- Verarbeitungseinrichtungen (30), die auf die Bestimmungseinrichtungen ansprechen, um Signale zu liefern, die repräsentativ für die Position der wenigstens einer beweglichen Stelle (11/13; 11a, 11b, 11c; 13a; 40, 42) innerhalb des ausgewählten Bereiches (10) sind, dadurch gekennzeichnet,
- daß die Strahlungsanzeigeeinrichtung (12, 14; 49) nicht-scannend ist und unabhängig von der wenigstens einen beweglichen Strahlungsquelle (11/13; 11a, 11b, 11c; 13a; 40, 42) arbeitet;
- daß die Bestimmungseinrichtungen Einrichtungen umfassen, die in Kombination mit der Strahlungsanzeigeeinrichtung (12, 14; 49), zur Bereitstellung eines beweglichen Blickfeldes (16/20, 18/22; 50/52; 54/56; 58/60; 62/64) an jeder ersten und zweiten Stelle angeordnet sind, und das bewegliche Blickfeld einen beweglichen Referenzpunkt (28) umfaßt und daß Einrichtungen (29, 36, 38) vorgesehen sind, zur Bestimmung der Position des beweglichen Referenzpunktes (28) der beweglichen Blickfeld-einrichtungen (16/20, 18/22; 50/52; 54/56; 58/60; 62/64) bezüglich einer Startposition wenn der bewegliche Referenzpunkt (28) mit der ersten bzw. zweiten Linie zusammenfällt.
2. Vorrichtung nach Anspruch 1, dadurch gekennzeichnet, daß die wenigstens eine bewegliche Strahlungsquelle (11/13; 11a, 11b, 11c; 13; 40, 42) erste und zweite Strahlungsquellen (40, 42) umfaßt, die zweite Strahlungsquelle (42) von der ersten Strahlungsquelle (40) einen zweiten vorbestimmten beabstandet ist, und das Strahlungsquellenpaar (40, 42) indikativ für eine innerhalb des gewählten Bereiches (10) bewegliche gerade Kante ist;
- daß die Strahlungsanzeigeeinrichtungen (12, 14; 49) so angepaßt sind, daß sie von der ersten bzw. zweiten Lichtquelle (40, 42) ausgesandtes Licht anzeigen;
- daß die Bestimmungseinrichtung desweiteren betrieben werden kann, um einen dritten Winkel zwischen der Basislinie (L) und einer dritten Linie, die sich zwischen der ersten Stelle und der zweiten Strahlungsquelle (42) erstreckt zu bestimmen und um einen vierten Winkel zwischen der Basislinie (L) und einer vierten Linie, die sich zwischen der zweiten Stelle und der zweiten Strahlungsquelle (42) erstreckt zu bestimmen, wobei die dritte Linie dann auftritt, wenn von der zweiten Strahlungsquelle (42) ausgesandte Strahlung von der Strahlungsanzeigeeinrichtung (12) an der ersten Stelle angezeigt wird und die vierte Linie auftritt, wenn die von der zweiten Strahlungsquelle (42) ausgesandte Strahlung von der Strahlungsanzeigeeinrichtung (14) an der zweiten Stelle angezeigt wird; und
- daß die auf die Bestimmungseinrichtungen ansprechenden Einrichtungen desweiteren Signale erzeugen, die repräsentativ für die Position der zweiten Strahlungsquelle (42) innerhalb des ausgewählten Gebietes (10), sowie der Position der geraden Kante sind, die durch das Paar Strahlungsquellen (40, 42) innerhalb des ausgewählten Bereiches (10) vorgegeben ist.
3. Vorrichtung nach Anspruch 1, dadurch gekennzeichnet, daß das bewegliche Blickfeld (16/20, 18/22; 52/54; 58/60; 62/64) sind bogenförmlich um die erste und zweite Stelle bewegt.
4. Vorrichtung nach Anspruch 1, 2 oder 3, dadurch gekennzeichnet,
- daß die Strahlungsanzeigeeinrichtung (12, 14; 49) einen Photodetektor umfaßt, der an jeder ersten und zweiten Stelle positioniert ist.
5. Vorrichtung nach Anspruch 1, dadurch gekennzeichnet, daß die Strahlungsanzeigeeinrichtung einen Photodetektor (12, 14; 49) umfaßt, der an jeder ersten und zweiten Stelle positioniert ist; und
- daß die bewegliche Feldeinrichtung ein Paar opaker Teile (16, 18; 54) aufweist, von denen jeweils eines zwischen dem ausgewählten Bereich (10) und dem entsprechenden Photodetektor (12, 14; 49) an den ersten und zweiten Stellen angeordnet ist, jedes der opaken Teile (16, 18; 54) einen Schlitten (20, 22; 56) aufweist, um einen von der beweglichen Strah-

- lungsquelle (11/13) herrührenden engen Strahlungsstrahl hindurchzulassen, wobei die bewegliche Feldeinrichtung Einrichtungen umfaßt zur wiederholten Bewegung jedes opaken Teiles (16, 18; 54) und seines Schlittens (20, 22; 56) entlang eines bekannten Weges, um das bewegliche Blickfeld des ausgewählten Bereiches zu liefern.
6. Vorrichtung nach Anspruch 1, dadurch gekennzeichnet, daß die Strahlungsanzeigeeinrichtung einen Photodetektor (49) umfaßt, der an jeder ersten und zweiten Stelle angeordnet ist; daß die bewegliche Feldeinrichtung ein Paar transparenter Teile (50) umfaßt, von denen jeweils eines zwischen dem ausgewählten Bereich (10) und dem entsprechenden Photodetektor (49) bei den ersten und zweiten Stellen angeordnet ist, jedes der transparenten Teile (50) ein opakes Segment (52) zum Blockieren der Strahlung von der beweglichen Strahlungsquelle (11/13) hat und die bewegliche Feldeinrichtung Einrichtungen aufweist zur wiederholten Bewegung jedes transparenten Teiles (50) und dessen opaken Segmentes (52) entlang eines bekannten Weges, um das bewegliche Blickfeld des gewählten Bereiches zu liefern.
7. Vorrichtung nach Anspruch 1, dadurch gekennzeichnet, daß die Strahlungsanzeigeeinrichtung einen Photodetektor (49) aufweist, der an jeder der ersten und zweiten Stellen angeordnet ist; und daß die bewegliche Feldeinrichtung ein Paar Spiegel (58; 62) umfaßt, von denen jeweils einer zwischen dem ausgewählten Bereich (10) und dem entsprechenden Photodetektor (49) an der ersten und zweiten Stelle angeordnet ist, jeder der Spiegel (58; 62) eine reflektierende Oberfläche (60; 64) aufweist, zum Reflektieren von Strahlung von der beweglichen Strahlungsquelle (11/13) auf den Photodetektor (49), die beweglichen Feldeinrichtungen Einrichtungen aufweisen zur wiederholten Bewegung jedes Spiegels (58; 62) und seines opaken Segmentes (60; 64) entlang eines bekannten Weges, um das bewegliche Blickfeld des ausgewählten Bereiches zu liefern.
8. Vorrichtung nach Anspruch 5, dadurch gekennzeichnet, daß der bekannte Weg eine an der ersten und zweiten Stelle anliegende gerade Linie ist.
9. Vorrichtung nach Anspruch 5, 6 oder 7, dadurch gekennzeichnet, daß der bekannte Weg ein kreisförmiger Weg um die erste und zweite Stelle ist.
10. Vorrichtung zur Erzeugung von Signalen, die repräsentativ für eine oder mehrere Positionen, wenigstens einer innerhalb eines ausgewählten Bereiches (10) beweglichen Lichtquelle (11/13; 11a, 11b, 11c; 40, 42) ist, mit: an ersten bzw. zweiten Stellen angeordnete erste und zweite Photodetektoreinrichtungen (12, 14; 49) zur Anzeige der von der wenigstens einen beweglichen Lichtquelle (11/13; 11a, 11b, 11c; 40, 42) ausgesandten Strahlung, wobei die ersten und zweiten Stellen entlang einer Basislinie einen ersten vorbestimmten Abstand (L; L1) voneinander beabstandet sind; Einrichtung zur Bestimmung eines ersten Weges zwischen der Basislinie (L) und einer ersten Linie, die sich zwischen der ersten Photodetektoreinrichtung (12; 49) und der wenigstens einen beweglichen Strahlungsquelle (11/13; 11a, 11b, 11c; 40, 42) erstreckt und zur Bestimmung eines zweiten Winkels zwischen der Basislinie (L) und einer zweiten Linie, die zwischen der zweiten Photodetektoreinrichtung (14; 49) und der wenigstens einen beweglichen Strahlungsquelle (11/13; 11a, 11b, 11c; 40, 42) erstreckt; und Verarbeitungseinrichtungen (30), welche auf die Bestimmungseinrichtungen zur Erzeugung von Signalen, repräsentativ für die Position der wenigstens einen beweglichen Strahlungsquelle (11/13, 11a, 11b, 11c; 40, 42) innerhalb des ausgewählten Bereiches (10) ansprechen; dadurch gekennzeichnet, daß die ersten und zweiten Photodetektoreinrichtungen (12, 14; 49) nicht-scannend und unabhängig von der wenigstens einen beweglichen Strahlungsquelle (11/13; 11a, 11b, 11c; 40, 42) arbeiten; daß Einrichtungen (16/20, 18/22; 50/52; 58/60; 62/64) mit jeder der Photodetektoreinrichtungen (12, 14; 49) verbunden sind, um dafür ein bewegliches Blickfeld vorzusehen, wobei sich das bewegliche Blickfeld bogenförmig um jede der Photodetektoreinrichtungen (12, 14; 49) unabhängig von der Bewegung der wenigstens einer Strahlungsquelle (11/13; 11a, 11b, 11c; 40, 42) bewegt; daß die beweglichen Blickfeldeinrichtungen (16/20, 18/22; 50/52; 58/60; 62/64) Einrichtungen zur Aufzeichnung von Winkelstellungen (28, 29, 34, 36, 38) jedes der bogenförmig beweglichen Blickfelder bezüglich der Basislinie umfassen und davon Signalwerte vorsehen; daß ein erstes Signal durch die Photodetektoreinrichtung (12; 49) nach Empfang von Strahlung von der wenigstens einer beweglichen Strahlungsquelle (11/13, 11a, 11b, 11c; 40, 42) durch das Blickfeld (16/20; 50/52; 58/60; 62/64) der ersten Photodetektoreinrichtung (12, 14;

- 49) erzeugt wird;  
 daß ein zweites Signal durch die zweite Photodetektoreinrichtung (14; 49), nach Empfang von Strahlung von der wenigstens einen Lichtquelle (11/13; 11a, 11b, 11c; 40, 42) durch das Blickfeld (18/22; 50/52; 58/60; 62/64) der zweiten Photodetektoreinrichtung (14, 49) erzeugt wird und  
 daß die Verarbeitungseinrichtung (30) auf die ersten und zweiten Signale ansprechend arbeitet, um das Signal zu erzeugen, das die Position der wenigstens einen Lichtquelle (11/13; 11a, 11b, 11c; 40, 42) innerhalb des ausgewählten Bereiches (10) repräsentiert.
11. Vorrichtung nach Anspruch 10, dadurch gekennzeichnet,  
 daß die wenigstens eine bewegliche Strahlungsquelle (11/13; 11a, 11b, 11c; 40, 42) erste und zweite Strahlungsquellen (40, 42) aufweist, die zweite Strahlungsquelle (42) von der ersten Strahlungsquelle (40) um einen zweiten vorbestimmten Abstand beabstandet ist und Strahlung emittiert, die von jeder der Photodetektoreinrichtungen (12, 14; 49) erfaßt wird, die ersten und zweiten Strahlungsquellen (40, 42) eine innerhalb des ausgewählten Bereiches (10) bewegliche, gerade Kante bestimmen, und daß die ersten und zweiten Photodetektoreinrichtungen (12, 14) desweiteren so arbeiten, daß sie Signale erzeugen, die repräsentativ für die von der zweiten Strahlungsquelle (42) durch das erste und zweite Blickfeld (16/20, 18/22; 50/52; 58/60; 62/64) empfangenen Strahlung sind und  
 daß die Signalerzeugungseinrichtung (30) desweiteren in Abhängigkeit von den Signalwerten der Winkelpositionsaufzeichnungseinrichtung (28, 29, 34, 36, 38) arbeitet, um Signale zu liefern, welche der Position der zweiten Lichtquelle (42) und der Position der durch das Paar Strahlungsquellen (40, 42) innerhalb des ausgewählten Bereiches (10; 88) gekennzeichneten, geraden Kante, entsprechen.
12. Vorrichtung nach Anspruch 3 oder 10, dadurch gekennzeichnet,  
 daß die bogenförmig bewegten Blickfelder (16/20, 18/22; 50/52; 58/60; 62/64) rotierende Blickfelder sind.
13. Vorrichtung nach Anspruch 12, dadurch gekennzeichnet,  
 daß die Einrichtung zum Vorsehen eines rotierenden Blickfeldes (16/20, 18/22; 50/52; 58/60; 62/64) so arbeitet, daß sie das rotierende Blickfeld mit einer vorbestimmten Winkelgeschwindigkeit zur Verfügung stellt.
14. Vorrichtung nach Anspruch 13, dadurch gekennzeichnet,  
 daß die vorbestimmte Winkelgeschwindigkeit konstant ist
15. Vorrichtung nach Anspruch 1 oder 10, dadurch gekennzeichnet,  
 daß die wenigstens eine Lichtquelle (11/13; 11a, 11b, 11c; 40, 42) eine lichtemittierende Diode ist.
16. Vorrichtung nach Anspruch 10, dadurch gekennzeichnet,  
 daß die Einrichtung zum Vorsehen eines bogenförmig bewegten Blickfeldes (16/20, 18/22; 50/52; 58/60, 62/64), das mit jeder ersten und zweiten Stelle verbunden ist, einen beweglichen Referenzpunkt (28) aufweist.
17. Vorrichtung nach Anspruch 3 oder 17, dadurch gekennzeichnet,  
 daß die Einrichtung zum Vorsehen des bogenförmig bewegten Blickfeldes (16/20, 18/22; 50/52; 58/60; 62/64), das mit jeder ersten und zweiten Stelle verbunden ist wenigstens einen Abschnitt eines opaken Zylinders (16, 18) umfaßt, der einen axialen Schlitz (28) aufweist, und wenigstens teilweise jede der ersten und zweiten Stellen umgibt, und wobei jeder der axialen Schlitze (28) den beweglichen Referenzpunkt repräsentiert.
18. Vorrichtung nach Anspruch 4 oder 17, dadurch gekennzeichnet,  
 daß jedes der bogenförmig bewegten Blickfelder mit transparenten Schildeinrichtungen (50) versehen ist, die ein opakes Segment (52) mit bestimmten Grenzen aufweisen und wenigstens teilweise die erste bzw. zweite Stelle umgeben,  
 daß die Schildeinrichtungen (50) bezüglich der ersten und zweiten Stelle beweglich sind, um die durch die ersten und zweiten Stellen durchtretende Strahlung zu unterbrechen und  
 daß jede der bestimmten Grenzen auf jeder der transparenten Schildeinrichtungen (50) der bewegliche Referenzpunkt ist.
19. Vorrichtung nach Anspruch 11, dadurch gekennzeichnet,  
 daß von der ersten bzw. zweiten Strahlungsquelle (40, 42) ausgesandte Strahlung codiert ist und  
 daß die Photodetektoreinrichtung (12, 14; 49) so betrieben wird, daß sie die codierte Strahlung der ersten und zweiten Strahlungsquelle (40, 42) unterscheidet.

20. Vorrichtung nach Anspruch 2 oder 11, gekennzeichnet durch eine Schablone (44), welche die durch die erste und zweite Strahlungsquelle (40, 42) gebildete gerade Kante umfaßt und mehrere darauf befindliche Informationszeichen und Symbole (46) umfaßt, durch Einrichtungen (48) zur Auswahl eines der mehreren Informationszeichen und -Symbole (46) und durch Einrichtungen zum Vorsehen eines Signales, das repräsentativ für das aus den Informationszeichen und -Symbolen (46) ausgewählte Zeichen oder Symbol ist.
21. Vorrichtung nach Anspruch 1 oder 10, dadurch gekennzeichnet, daß der ausgewählte Bereich (10, 88) eine Dateneingabetafel und die wenigstens eine bewegliche Strahlungsquelle (11/13) ein Stift (11) mit einem Strahlungssender (13) auf dessen Spitze ist, wobei der Stift (11) auf der Oberfläche der Dateneingabetafel (10, 88) beweglich ist.
22. Vorrichtung nach Anspruch 10, gekennzeichnet durch: dritte Photodetektoreinrichtung (96) zur Aufzeichnung von Strahlung, die von der wenigstens einen an einer dritten Stelle angeordneten Strahlungsquelle (11a, 11b, 11c) ausgesandt wird, wobei die dritte Stelle entlang einer zweiten Basislinie einen zweiten bestimmten Abstand (L2) von der zweiten Stelle beabstandet ist und von der ersten Stelle entlang einer zweiten Basislinie einen dritten vorbestimmten Abstand (L3) beabstandet ist; eine mit der dritten Photodetektoreinrichtung (96) verbundene Einrichtung (16/20, 18/22; 50/52; 58/60; 62/64), um dafür ein bewegliches Blickfeld vorzusehen, wobei sich das bewegliche Blickfeld bogenförmig und unabhängig von der Bewegung der wenigstens einen Strahlungsquelle (11a, 11b, 11c) um die dritte Photodetektoreinrichtung (96) bewegt, das bewegliche Blickfeld (16/20, 18/22; 50/52; 58/60; 62/64) Einrichtungen zur Aufzeichnung von Winkelpositionen (28, 29, 34, 36, 38) des sich bogenförmig bewegenden Blickfeldes umfaßt und davon Signalwerte erzeugt; eine derartige Auslegung der dritten Photodetektoreinrichtung (96), daß diese ein drittes Signal erzeugt, wenn sie Strahlung von der wenigstens einen Lichtquelle (11a, 11b, 11c) durch das mit der dritten Photodetektoreinrichtung (96) verbundene Blickfeld empfängt und eine derartige Auslegung der Einrichtung zum Vorsehen eines Positionsignales (30), daß es Einrichtungen umfaßt, die in Abhängigkeit von einem Signalwert der Winkelpositionier-
- zeichnungseinrichtung arbeiten, die mit der dritten Photodetektoreinrichtung (96) verbunden ist, um ein Signal zu liefern, das die Position der wenigstens einen Strahlungsquelle (11a, 11b, 11c) innerhalb des ausgewählten Bereiches (88) repräsentiert.
23. Dateneingabesystem zur Erzeugung von Signalen, die repräsentativ für eine oder mehrere Positionen eines Stiftes (11) ist, der innerhalb eines bestimmten Bereiches (10, 88) beweglich ist, mit einem Lichtsender (13), der mit dem beweglichen Stift (11) verbunden ist und die ausgesandte Strahlung erzeugt; ersten und zweiten Photodetektoreinrichtungen (12, 14; 49) an ersten bzw. zweiten Stellen, zur Anzeige der von dem Lichtsender (13) ausgesandten Strahlung, wobei die erste und zweite Stelle entlang einer Basislinie einen ersten vorbestimmten Abstand (L) voneinander beabstandet sind; Einrichtungen zur Bestimmung eines ersten Winkels zwischen der Basislinie (L) und einer ersten Linie, die sich zwischen der ersten Stelle und dem Lichtsender (13) erstreckt und zur Bestimmung eines zweiten Winkels zwischen der Basislinie (L) und einer zweiten Linie, die sich von der zweiten Stelle und dem Lichtsender (13) erstreckt und Einrichtungen (30), welche auf die Bestimmungseinrichtung zum Vorsehen von Signalen, die repräsentativ für die Position des Lichtsenders (13) innerhalb des ausgewählten Bereiches (10) sind, ansprechen, dadurch gekennzeichnet, daß erste und zweite Strahlungsanzeigeeinrichtungen (12, 14; 49) nicht-scannend sind und unabhängig von dem Lichtsender (13) arbeiten; daß Einrichtungen (16/20, 18/22; 50/52; 58/60; 62/64) mit jeder der Photodetektoreinrichtungen (12, 14; 49) verbunden sind, um dafür ein rotierendes, enges Blickfeld zu erzeugen, wobei die engen Blickfeldeinrichtungen unabhängig von der Bewegung des Stiftes (11) rotieren; daß Einrichtungen zur Aufzeichnung einer Winkelposition (28, 29, 34, 36, 38) jeder der engen Blickfeldeinrichtungen (16/20, 18/22; 50/52; 58/60; 62/64) bezüglich der Basislinie vorgesehen sind und davon Signalwerte liefern; daß ein erstes Signal durch die erste Photodetektoreinrichtung (12; 49) erzeugt wird, wenn die erste Photodetektoreinrichtung (12; 49), die damit verbundene schmale Blickfeldeinrichtung (16/20, 18/22; 50/52; 58/60; 62/64) und Strahlung von dem Lichtsender (13) kollinear sind; daß ein zweites Signal durch die zweite Photodetektoreinrichtung (14; 49) erzeugt wird, wenn die zweite Photodetektoreinrichtung (14; 49),

- die damit verbundene schmale Blickfeldeinrichtung (16/20, 18/22; 50/52; 58/60; 62/64) und Strahlung von dem Lichtsender (13) kollinear sind und  
 daß die Einrichtung (30) in Abhängigkeit von den Signalwerten der Winkelpositionier-Aufzeichnungseinrichtung (28, 29, 34, 36, 38) und den durch die ersten bzw. zweiten Photodetektoreinrichtungen (12, 24; 29) erzeugten ersten und zweiten Signalen arbeitet, um das Signal zu liefern, daß die Position des Stiftes (11) innerhalb des bestimmten Bereiches (10) repräsentiert.
24. Dateneingabetafel nach Anspruch 23, dadurch gekennzeichnet,  
 daß erste und zweite Strahlungssender (40, 42), einen vorbestimmten Abstand voneinander beabstandet sind und Strahlung liefern, die durch die ersten und zweiten Photodetektoreinrichtung (12, 14; 49) erfaßt wird, wobei das Lichtsenderpaar (40, 42) eine innerhalb des Bereiches der Tafel bewegliche gerade Kante begrenzt;  
 daß die ersten und zweiten Photodetektoreinrichtungen (12, 14; 49) so arbeiten, daß sie von den ersten und zweiten Strahlungsendern (40, 42) ausgesandte Strahlung erfassen und erste bzw. zweite Signale liefern, die dafür repräsentativ sind, und  
 daß die Verarbeitungseinrichtung (30) in Abhängigkeit von den ersten und zweiten Signalen arbeitet, sowie von Signalen der Winkelpositions-Aufzeichnungseinrichtung (28, 29, 34, 36, 38), um Signale zu liefern, welche die Position jedes Strahlungssenders (40, 42) und der geraden Kante innerhalb des Bereiches (10; 88) der Tafel repräsentieren.
25. Dateneingabetafel nach Anspruch 24, dadurch gekennzeichnet,  
 daß die mit den ersten und zweiten Photodetektoreinrichtungen (12, 14; 49) verbundene schmale Blickfeldeinrichtung (16/20, 18/22; 50/52 58/60; 62/64) so betrieben werden kann, daß sie ein rotierendes, schmales Blickfeld mit einer vorbestimmten Winkelgeschwindigkeit liefert.
26. Dateneingabetafel nach Anspruch 24, dadurch gekennzeichnet,  
 daß der Lichtsender (13) eine lichtaussendende Diode ist.
27. Dateneingabetafel nach Anspruch 24, dadurch gekennzeichnet,  
 daß die schmale Blickfeldeinrichtung (16/20, 18/22; 50/52; 58/60; 62/64) ein opakes Gehäuse (16, 18; 54) mit einem darin befindlichen Schlitz (20, 22; 56) ist, um das schmale Blickfeld für Strahlung zu liefern, die, von dem Lichtsender (13) ausgehend, von den ersten und zweiten Photodetektoreinrichtungen (12, 14; 49) empfangen wird.
28. Dateneingabetafel nach Anspruch 25, dadurch gekennzeichnet,  
 daß jeder der Strahlungssender (40, 42) codiert ist; daß erste und zweite Photodetektoreinrichtungen (12, 14; 49) derart arbeiten, daß sie jeweils codierte erste und zweite Signale liefern, um zwischen den jeweiligen Strahlungsendern (40, 42) zu unterscheiden.
29. Dateneingabetafel nach Anspruch 25, gekennzeichnet durch eine Schablone (44), die eine gerade Kante aufweist, sowie darauf befindliche Informationszeichen, wobei die Strahlungssender (40, 42) an gegenüberliegenden Enden der geraden Kante der Schablone (44) positioniert sind; und  
 durch Einrichtungen (48) zum Lesen wenigstens eines Informationszeichens der Schablone (44).
30. Vorrichtung nach Anspruch 1 oder 10, dadurch gekennzeichnet,  
 daß der ausgewählte Bereich (10) ein zu überwachendes Landgebiet ist und die wenigstens eine bewegliche Strahlungsquelle (13a) ein Referenzpol, der wahlweise Strahlung vorbestimmter Charakteristiken aussendet, wobei der Referenzpol über das Landgebiet bewegbar ist.
31. Vorrichtung zur Bestimmung der Position einer Strahlungsquelle (13a), die innerhalb eines ausgewählten Bereiches (10) angeordnet und beweglich ist, mit:  
 Strahlungsanzeigeeinrichtungen (49b) zum Aufzeichnen von Strahlung, die von der beweglichen Strahlungsquelle (13a) ausgesandt wurde, wobei die Strahlungsanzeigeeinrichtung (12, 14; 49) nicht-scannend ist und unabhängig von der beweglichen Strahlungsquelle (13a) arbeitet und die Strahlungsanzeigeeinrichtung (49b) so ausgerichtet ist, daß sie die von der beweglichen, innerhalb des ausgewählten Bereiches (10) angeordneten Strahlungsquelle (13a) ausgesandte Strahlung erfaßt, gekennzeichnet durch Einrichtungen (16/20; 50/52; 58/60; 62/64), die in Kombination mit den Strahlungsanzeigeeinrichtungen (49a) angeordnet sind, um ein bewegliches Blickfeld für die Strahlungsanzeigeeinrichtung (49a) zu liefern, wobei die beweglichen Blickfeldeinrichtungen (16/20;

- 50/52; 58/60; 62/64) einen beweglichen Referenzpunkt (28) umfassen;  
 Einrichtungen (80) zum Tragen der Kombination aus der Strahlungsanzeigeeinrichtung (49b) und beweglicher Blickfeldeinrichtung (16/20; 50/52; 54/56; 58/60; 62/64) unter einem vorbestimmten Abstand von einem Drehpunkt; Einrichtungen (84, 86) zur Drehung der Kombination aus Strahlungsanzeigeeinrichtung (49b) und beweglicher Blickfeldeinrichtung (16/20; 50/52; 54/56; 58/60; 62/64) um den Drehpunkt; eine Auslegung derart, daß von der beweglichen Strahlungsquelle (13a) ausgesandte Strahlung durch die Strahlungsanzeigeeinrichtung (49b) an ersten und zweiten Stellen während der Drehung um den Drehpunkt aufgrund der Bewegung der beweglichen Blickfeldeinrichtungen (16/20; 50/52; 54/56; 58/60; 62/64) um die Strahlungsanzeigeeinrichtung (49b), erfaßt wird;  
 Einrichtungen zum Bestimmen (29, 36, 38) der Position des beweglichen Referenzpunktes (28) der beweglichen Blickfeldeinrichtung (16/20; 50/52; 54/56; 58/60; 62/64) bezüglich einer Startposition bei den ersten und zweiten Stellen;  
 Einrichtungen zum Bestimmen eines ersten Winkels zwischen dem vorbestimmten Abstand und einer ersten Linie, die sich zwischen der zweiten Stelle und der beweglichen Strahlungsquelle (13a) erstreckt und zur Bestimmung eines zweiten Winkels zwischen dem vorbestimmten Abstand und einer zweiten Linie, die sich von der zweiten Stelle und der beweglichen Strahlungsquelle (13a) erstreckt; und  
 Verarbeitungseinrichtungen (30), welche auf die Bestimmungseinrichtung ansprechen um Signale zu liefern, die repräsentativ für die Position der beweglichen Strahlungsquelle (13a) innerhalb des ausgewählten Bereiches (10) sind.
32. Vorrichtung zur Bestimmung der Position wenigstens einer Strahlungsquelle (11/13), die innerhalb eines ausgewählten Bereiches (10) angeordnet und beweglich ist, mit:  
 einer Strahlungsanzeigeeinrichtung (49a) zur Aufzeichnung von Strahlung, die von der wenigstens einen beweglichen Strahlungsquelle (11/13) ausgesandt wurde, wobei die Strahlungsanzeigeeinrichtung (49a) so ausgelegt ist, daß sie von der wenigstens einen beweglichen, innerhalb des ausgewählten Bereiches angeordneten Strahlungsquelle ausgesandte Strahlung erfaßt;  
 Einrichtungen zur Bestimmung eines ersten Winkels zwischen einer Basislinie (L) und einer
- ersten Linie, die sich zwischen einer ersten Stelle und der wenigstens einen beweglichen Strahlungsquelle (11/13) erstreckt und zur Bestimmung eines zweiten Winkels zwischen der Basislinie (L) und einer zweiten Linie, die sich zwischen einer zweiten Stelle und der wenigstens einen beweglichen Strahlungsquelle (11/13) erstreckt; und  
 Verarbeitungseinrichtungen (30), die auf die Bestimmungseinrichtungen ansprechen, um Signale zu liefern, die repräsentativ für die Position der wenigstens einen, beweglichen Strahlungsquelle (11/13) innerhalb des ausgewählten Bereiches (10) sind;  
 gekennzeichnet durch  
 ein Paar fiberoptischer Kabel (68), zur Übertragung von Strahlung, die von der wenigstens einen beweglichen Strahlungsquelle (11/13) ausgesandt wurde, wobei die fiberoptischen Kabel (68) erste Enden aufweisen, die an die Strahlungsanzeigeeinrichtung (49a) angrenzen, um Strahlung daran anzukoppeln, sowie zweite Enden, die an den ersten bzw. zweiten Stellen angeordnet sind, wobei die ersten und zweiten Stellen längs der Basislinie einen vorbestimmten (L) voneinander beabstandet sind;  
 Einrichtungen (72), die in Kombination mit den zweiten Enden der fiberoptischen Kabel (68) angeordnet sind, um ein bewegliches Blickfeld bei jeder ersten und zweiten Stelle zu liefern, wobei die beweglichen Blickfeldeinrichtungen einen beweglichen Referenzpunkt (68) umfassen;  
 Einrichtungen (29, 36, 38) zur Bestimmung der Position des beweglichen Referenzpunktes (28) der beweglichen Blickfeldeinrichtung (72) bezüglich einer Startposition, wenn der bewegliche Referenzpunkt mit den ersten bzw. zweiten Linie zusammenfällt und  
 eine Auslegung der Strahlungsanzeigeeinrichtung (49a) derart, daß sie nicht-scannend ist und unabhängig von der wenigstens einen beweglichen Strahlungsquelle (11/13) arbeitet.
33. Verfahren zur Bestimmung einer Position einer Strahlungsquelle (11/13; 11a, 11b, 11c; 40, 42), die innerhalb eines ausgewählten Bereiches (10; 88) beweglich ist, wobei das Verfahren die Schritte umfasst:  
 Aussenden von Strahlung ausgewählter Charakteristiken von der beweglichen Strahlungsquelle (11/13; 11a, 11b, 11c; 40, 42), die innerhalb des ausgewählten Bereiches (10; 88) angeordnet ist;  
 gleichmäßig den ausgewählten Bereich (10; 88) von ersten und zweiten Stellen aus abscannen, die entlang einer Basislinie einen vorbestimmten Abstand (L) voneinander beabstan-



det sind, wobei dieser Schritt des gleichmäßigen Abscannens desweiteren die Schritte umfaßt, stationäre erste und zweite Photodetektoreinrichtungen (12, 14, 49) bei den ersten bzw. zweiten Stellen zu positionieren, nacheinander Teilsegmente jeder ersten und zweiten Photodetektoreinrichtung (12, 14, 49) mittels beweglicher Blickfeldeinrichtung (16/20, 18/22; 50/52; 54/56; 58/60; 62/64) dem ausgewählten Bereich (10; 88) auszusetzen, wobei das aufeinanderfolgende Aussetzen unabhängig von der Bewegung der Strahlungsquelle (11/13; 11a, 11b, 11c; 13a; 40, 42) auftritt und Aufzeichnen der bestrahlten Teilsegmente jeder der ersten und zweiten Photodetektoreinrichtungen (12, 14; 49) bezüglich eines damit verbundenen beweglichen Referenzpunktes (28); Erfassen der von der Strahlungsquelle (11/13; 11a, 11b, 11c; 40, 42) ausgesandten Strahlung an jeder der ersten und zweiten Stellen, wobei die Erfassung unabhängig von der Bewegung der Strahlungsquelle (11/13; 11a, 11b, 11c; 40, 42) auftritt; in wechselseitige Beziehung bringen der aufgezeichneten Teilanzeigesegmente der ersten und zweiten Photodetektoreinrichtungen (12, 14; 49) mit der erfassten Strahlung bei jeder der ersten bzw. zweiten Stellen, um eine erste Sichtlinie zwischen der erfassten Strahlung und der ersten Stelle und eine zweite Sichtlinie zwischen der erfassten Strahlung bzw. der zweiten Stelle zu bestimmen; Bestimmen eines ersten Winkels zwischen der Basislinie und der ersten Sichtlinie und eines zweiten Winkels zwischen der Basislinie und der zweiten Sichtlinie und Verarbeiten der Position der Strahlungsquelle (11/13; 11a, 11b, 11c; 40, 42) innerhalb des ausgewählten Bereiches (10, 88) von den ersten und zweiten Winkeln und dem vorbestimmten Abstand.

5

10

15

20

25

30

35

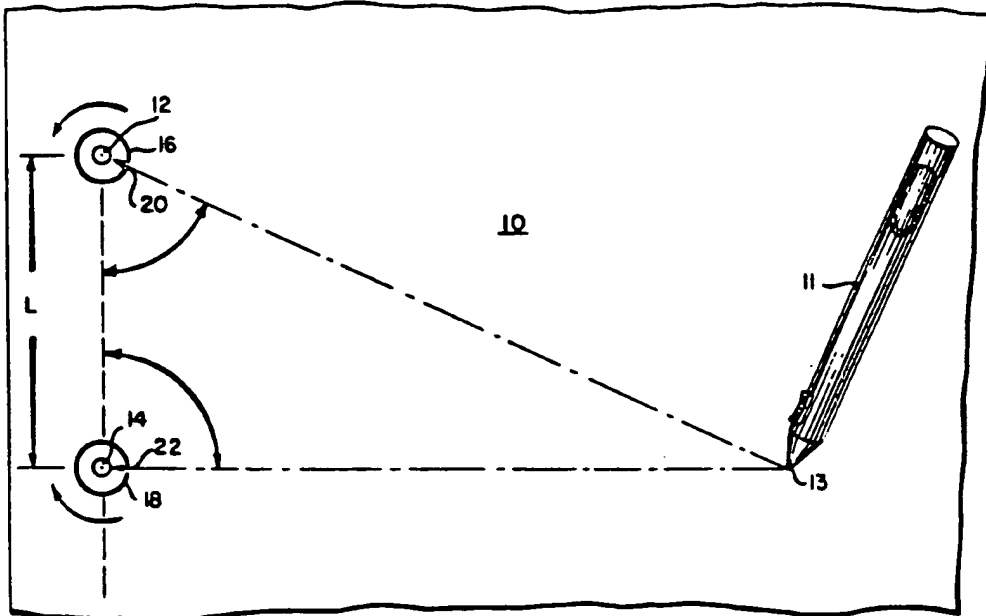
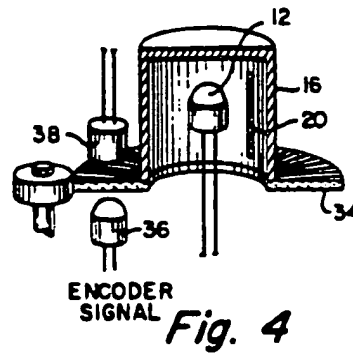
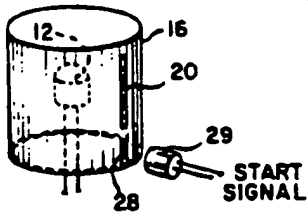
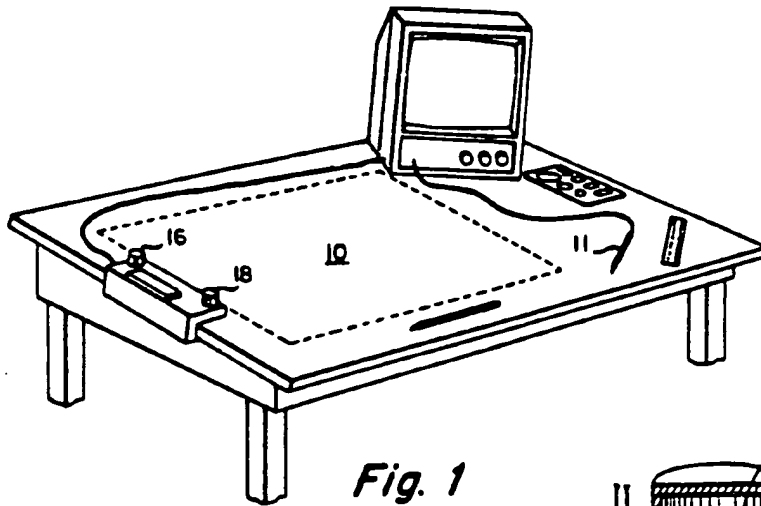
40

45

50

55

25



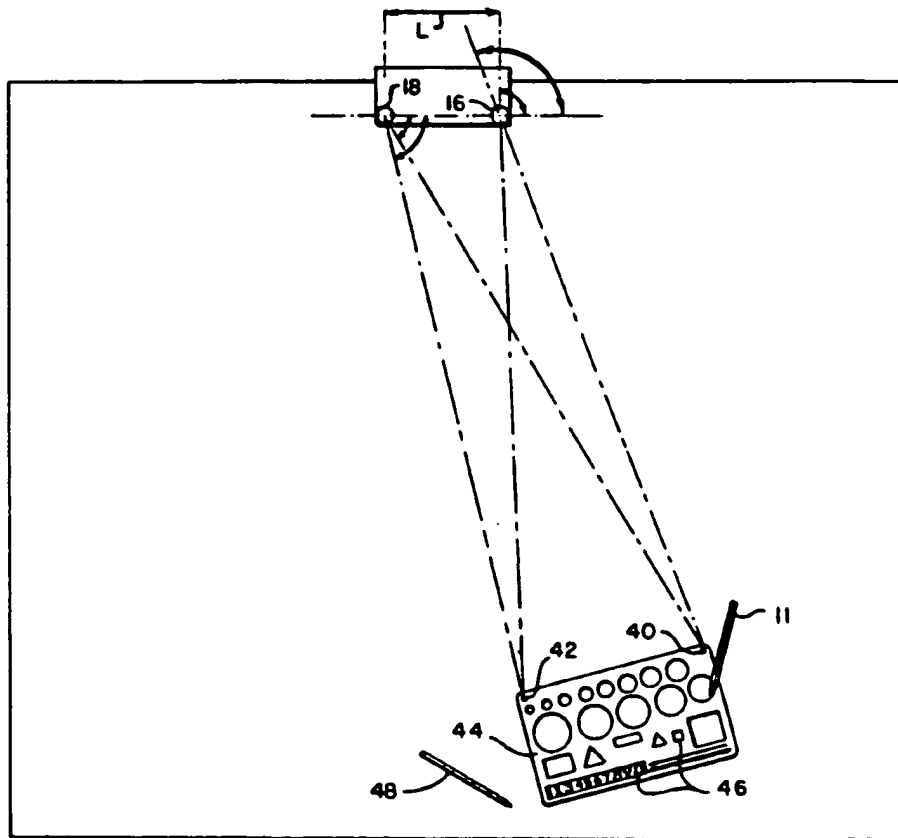
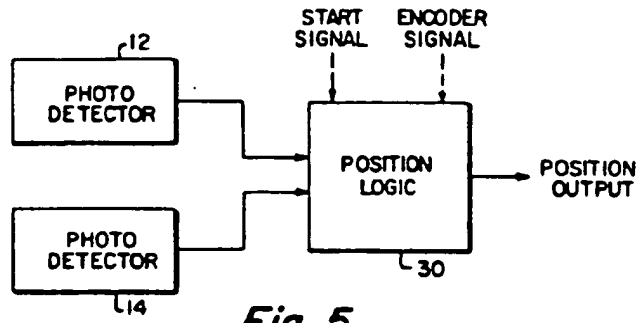
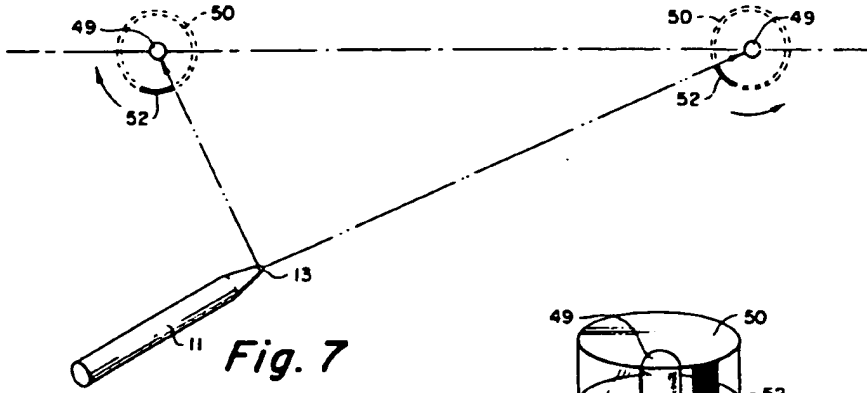
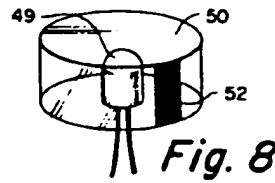


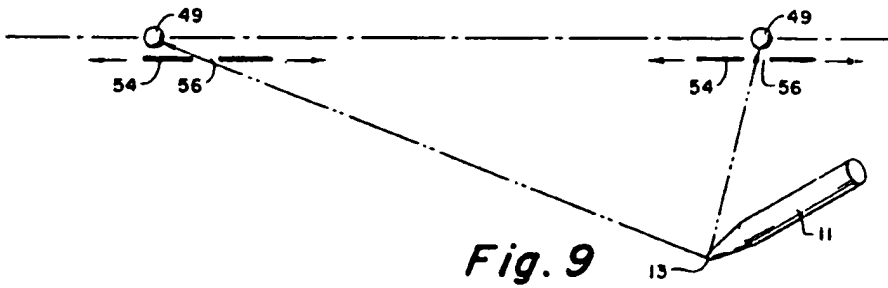
Fig. 6



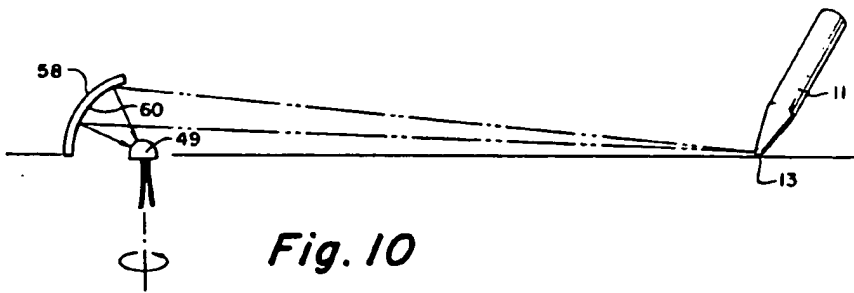
*Fig. 7*



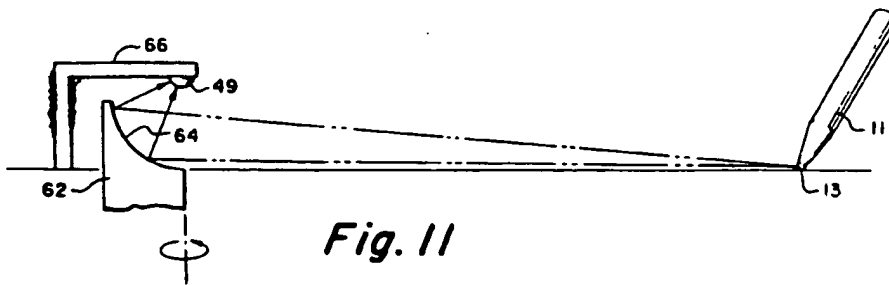
*Fig. 8*



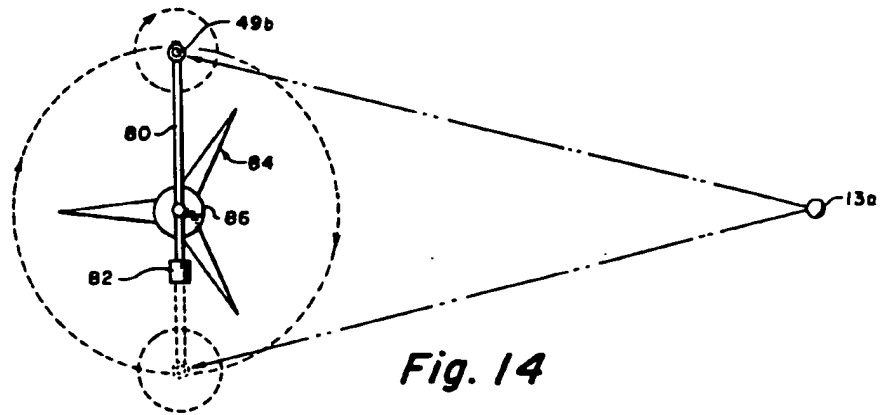
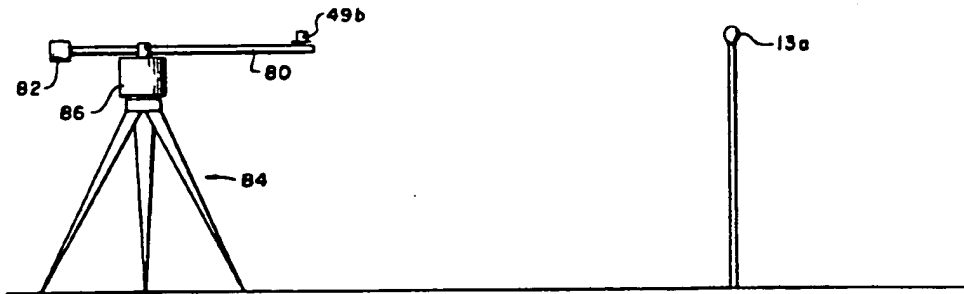
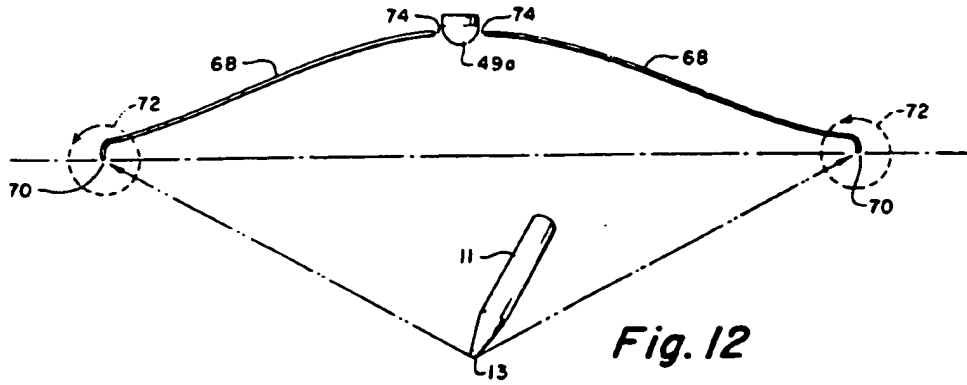
*Fig. 9*



*Fig. 10*



*Fig. 11*





**This Page is Inserted by IFW Indexing and Scanning  
Operations and is not part of the Official Record**

**BEST AVAILABLE IMAGES**

Defective images within this document are accurate representations of the original documents submitted by the applicant.

Defects in the images include but are not limited to the items checked:

- BLACK BORDERS
- IMAGE CUT OFF AT TOP, BOTTOM OR SIDES
- FADED TEXT OR DRAWING
- BLURRED OR ILLEGIBLE TEXT OR DRAWING
- SKEWED/SLANTED IMAGES
- COLOR OR BLACK AND WHITE PHOTOGRAPHS
- GRAY SCALE DOCUMENTS
- LINES OR MARKS ON ORIGINAL DOCUMENT
- REFERENCE(S) OR EXHIBIT(S) SUBMITTED ARE POOR QUALITY
- OTHER: \_\_\_\_\_

**IMAGES ARE BEST AVAILABLE COPY.**

**As rescanning these documents will not correct the image problems checked, please do not report these problems to the IFW Image Problem Mailbox.**